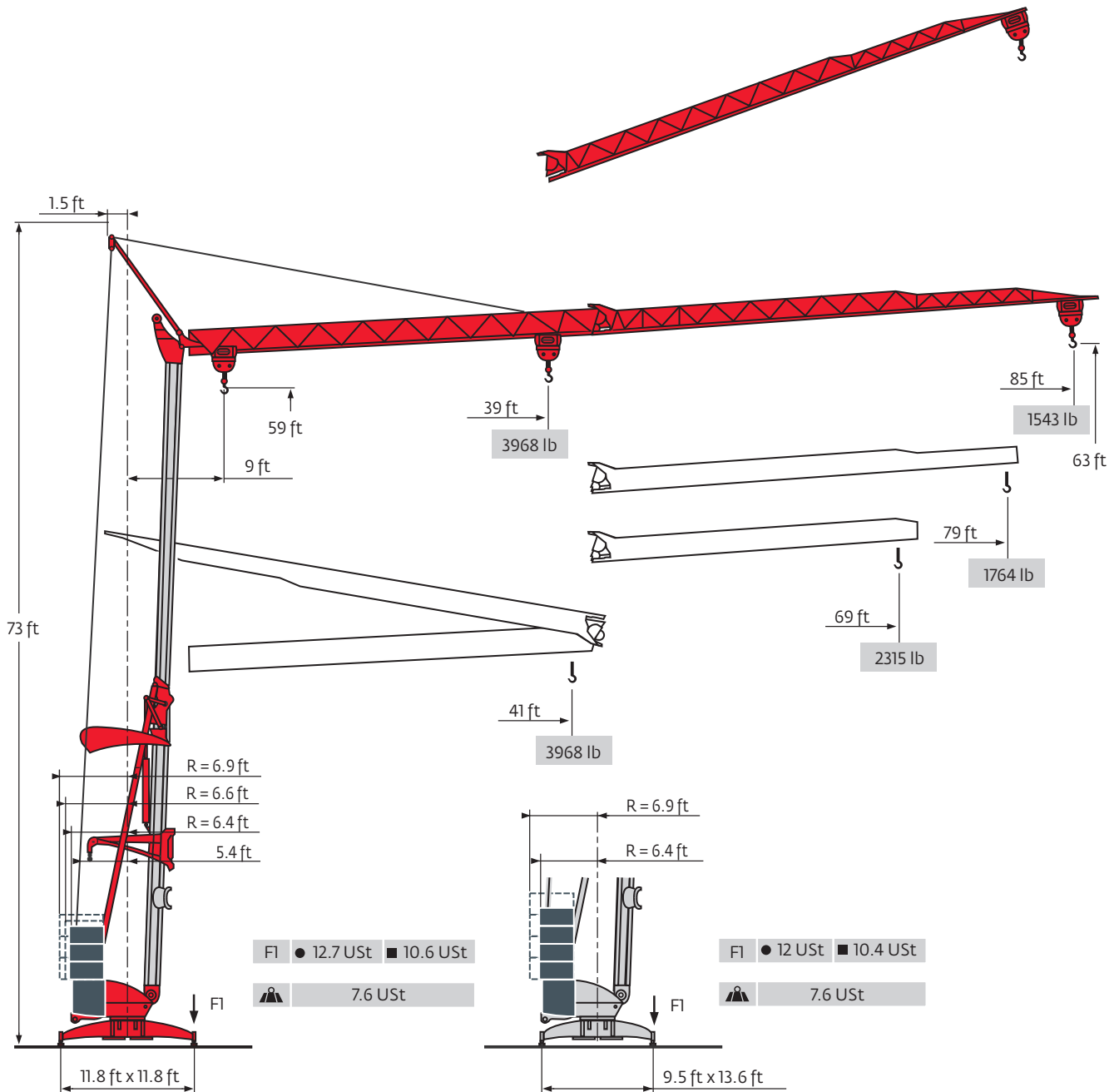


Potain Igo 21

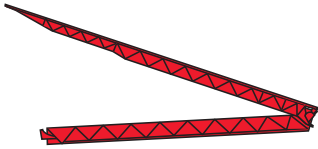
Data Sheet

FEM 1.001-A3

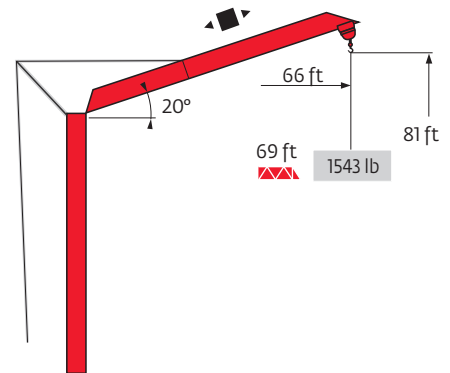
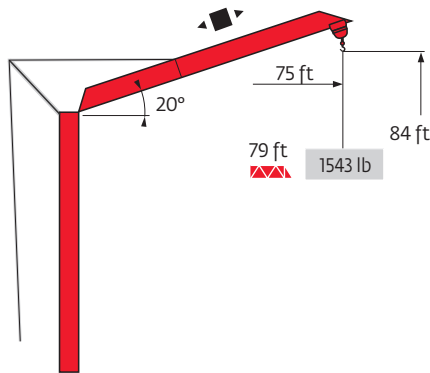
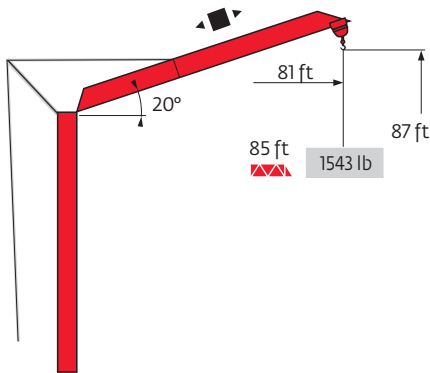


Values have been rounded

Load charts



85 ft	9	▶	41	ft	39	43	46	49	52	56	59	62	66	69	72	75	79	82	85	ft
					3968	3594	3285	3020	2789	2590	2414	2260	2127	2006	1896	1797	1709	1620	1543	lb
79 ft	9	▶	41	ft	40	43	46	49	52	56	59	62	66	69	72	75	79			ft
					3968	3715	3384	3120	2888	2679	2502	2337	2205	2072	1962	1863	1764			lb
69 ft	9	▶	41	ft		44	46	49	52	56	59	62	66	69						ft
					3968	3770	3461	3208	2976	2789	2612	2458	2315							lb

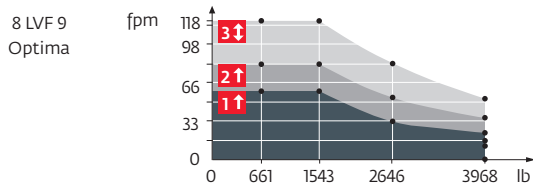


- Traversing trolley
- Reactions in service
- Reactions out of service
- Without load, ballast (or transport axles), with maximum jib and maximum height

Mechanisms

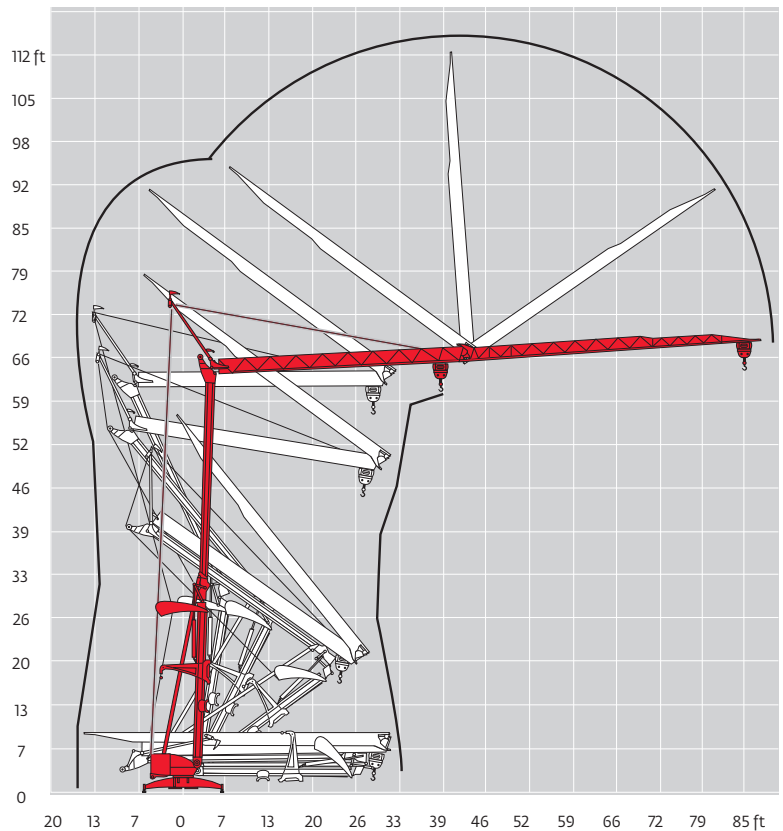
				🐢		🐌		🐎		hp	kW		
▲ ▼	8 LVF 9 Optima	220 V 21 A 1	fpm	↑ 12	↓ 12	↑ 23	↓ 53	↑ 59	↓ 118	3.3	2.4		
			lb	3968		3968		1543					
		220 V 34 A 2	fpm	↑ 12	↓ 12	↑ 36	↓ 52	↑ 82	↓ 118	5.2	3.8		
			lb	3968		3968		1543					
		480 V 3	fpm	↓ 12		↓ 52		↓ 118		7.5	5.5		
			lb	3968		3968		1543					
◀ ▶	1 DVF 4	-	fpm	46 → 118 (0 → 1543 lb) - 46 → 92 (1543 → 3968 lb)								1.5	1.1
⦿	RVF 20	-	rpm	0 → 1								1.5	1.1

CEI 38	IEC 38	kVA
220 V(+6% -10%) 60 Hz	220 V(+6% -10%) 60 Hz	220 V 21 A : 2.4 kW
480 V(+6% -10%) 60 Hz	480 V(+6% -10%) 60 Hz	220 V 34 A : 3.8 kW
		480 V : 14 A



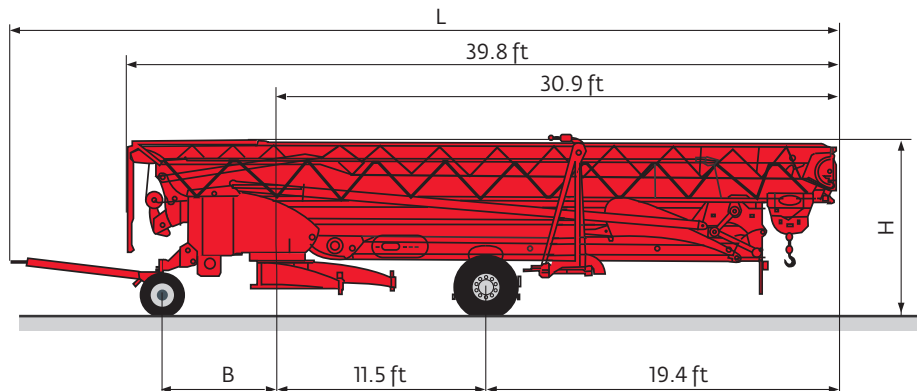
Crane profile

- Hoisting
- Trolleying
- Slewing
- 60 Hz Single phase



Transport

- DS51/S70 ○
- DS61/S80 ○
- DS61/S120 ○
- DS61/S125
- DJ80/S120 ○
- DJ80/S125
- DJ100/S120
- DJ105/S125
- DJ126M/S125



	L (ft)	B (ft)	H (ft)
DS51/S70	46.2	7.6	9.4/9.8
DS61/S80	47.6	7.6	9.4/9.8
DS61/S120	47.6	7.6	9.4/9.8
DS61/S125	47.6	7.6	9.4/9.8
DJ80/S120	47.6	7.6	9.9
DJ80/S125	47.6	7.6	9.9
DJ100/S120	47.6	7.6	11/10.5
DJ105/S125	47.6	7.6	11/10.5
DJ126M/S125	49	7.6	13.1

Constant improvement and engineering progress make it necessary that we reserve the right to make specification, equipment and price changes without notice. Illustrations shown may include optional equipment and accessories, and may not include all standard equipment.

Regional Headquarters

Americas

Manitowoc, Wisconsin, USA
 Tel: +1 920 684 6621
 Fax: +1 920 683 6277

Shady Grove, Pennsylvania, USA
 Tel: +1 717 597 8121
 Fax: +1 717 597 4062

Europe, Middle East, Africa

Ecully, France
 Tel: +33 472 18 2020
 Fax: +33 472 18 2000

Asia - Pacific

Shanghai, China
 Tel: +86 21 6457 0066
 Fax: +86 21 6457 4955



www.manitowoc.com

Potain Igo 21
 Code 05-002-2M-0409