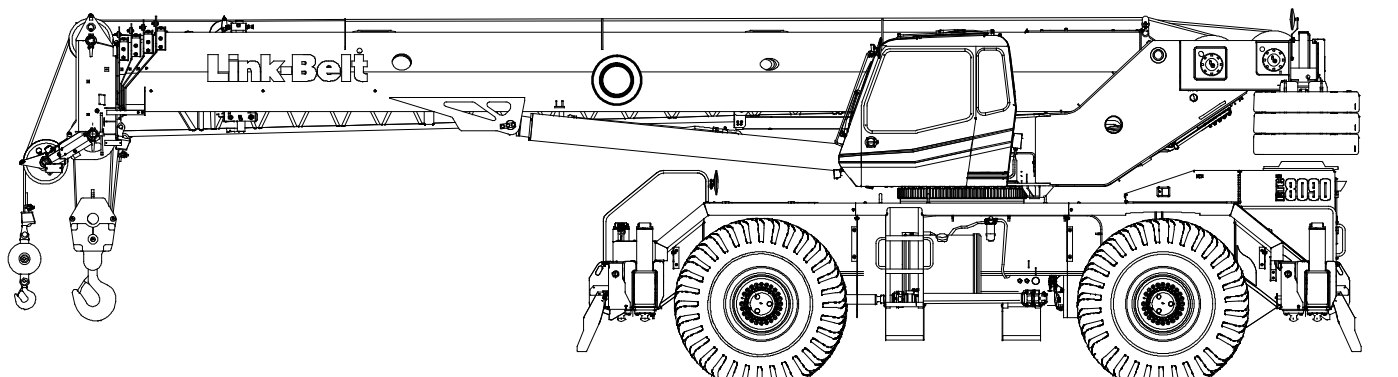


# Technical Data

## Specifications & Capacities

# RTC 8090

**Series II**  
**Telescopic Boom Rough Terrain Crane**  
90 ton (80.0 metric ton)



**CAUTION:** This material is supplied for reference use only. Operator must refer to in-cab Crane Rating Manual and Operator's Manual to determine allowable crane lifting capacities and assembly and operating procedures.



# Table Of Contents

|   |           |
|---|-----------|
| <b>Boom, Attachments, and Upper Structure</b> ..... | <b>1</b>  |
| Boom .....  | 1         |
| Boom Wear Pads .....                                | 1         |
| Boom Head .....                                     | 1         |
| Boom Elevation .....                                | 1         |
| Auxiliary Lifting Sheave – Optional .....           | 1         |
| Hook Blocks and Balls – Optional .....              | 1         |
| Fly – Optional .....                                | 1         |
| Fly Extensions – Optional .....                     | 1         |
| Operator's Cab and Controls .....                   | 2         |
| Swing .....   | 3         |
| Electrical .....                                    | 3         |
| Load Hoist System .....                             | 4         |
| Load Hoist Performance .....                        | 4         |
| 2M Main and Optional Auxiliary Winches .....        | 4         |
| Hydraulic System .....                              | 4         |
| Counterweight .....                                 | 4         |
| <b>Carrier</b> .....                                | <b>5</b>  |
| General .....                                       | 5         |
| Outriggers .....                                    | 5         |
| Steering and Axles .....                            | 5         |
| Suspension .....                                    | 5         |
| Tires and Wheels .....                              | 5         |
| Brakes .....  | 5         |
| Electrical .....                                    | 5         |
| Engine .....  | 5         |
| Transmission .....                                  | 5         |
| Carrier Speeds and Gradeability .....               | 6         |
| Fuel Tank .....                                     | 6         |
| Hydraulic System .....                              | 6         |
| Pump Drive .....                                    | 6         |
| <b>Axle Loads</b> .....                             | <b>7</b>  |
| <b>General Dimensions</b> .....                     | <b>8</b>  |
| <b>Working Range Diagram</b> .....                  | <b>9</b>  |
| <b>Boom Extend Modes</b> .....                      | <b>10</b> |

|  |           |
|--|-----------|
| <b>Main Boom Lift Capacity Charts – Standard</b> .....   | <b>11</b> |
| 19,200 lb Counterweight – Fully Extended Outriggers – 360° Rotation .....                            | 11        |
| 19,200 lb Counterweight – On Tires – Stationary – Boom Centered Over Front Between Tire Tracks ..... | 12        |
| 19,200 lb Counterweight – On Tires – Pick & Carry (Creep) – Boom Centered Over Front .....           | 13        |
| 19,200 lb Counterweight – On Tires – Stationary – 360° Rotation .....                                | 13        |
| 28,800 lb Counterweight – Fully Extended Outriggers – 360° Rotation .....                            | 14        |
| <b>Fly Attachment Lift Capacity Charts – Optional</b> .....  | <b>15</b> |
| 19,200 lb Counterweight – Fully Extended Outriggers – 360° Rotation .....                            | 15        |
| 19,200 lb Counterweight – Fully Extended Outriggers – 360° Rotation .....                            | 16        |
| 28,800 lb Counterweight – Fully Extended Outriggers – 360° Rotation .....                            | 17        |
| 28,800 lb Counterweight – Fully Extended Outriggers – 360° Rotation .....                            | 18        |
| <b>Main Boom Lift Capacity Charts – Metric</b> .....   | <b>19</b> |
| 8 710kg Counterweight – Fully Extended Outriggers – 360° Rotation .....                              | 19        |
| 8 710kg Counterweight – On Tires – Stationary – Boom Centered Over Front Between Tire Tracks .....   | 20        |
| 8 710kg Counterweight – On Tires – Pick & Carry (Creep) – Boom Centered Over Front .....             | 21        |
| 8 710kg Counterweight – On Tires – Stationary – 360° Rotation .....                                  | 21        |
| 13 065kg Counterweight – Fully Extended Outriggers – 360° Rotation .....                             | 22        |
| <b>Fly Attachment Lift Capacity Charts – Optional</b> .....  | <b>23</b> |
| 8 710kg Counterweight – Fully Extended Outriggers – 360° Rotation .....                              | 23        |
| 8 710kg Counterweight – Fully Extended Outriggers – 360° Rotation .....                              | 24        |
| 13 065kg Counterweight – Fully Extended Outriggers – 360° Rotation .....                             | 25        |
| 13 065kg Counterweight – Fully Extended Outriggers – 360° Rotation .....                             | 26        |

# Boom, Attachments, and Upper Structure

## ■ Boom

**Design** – Five section, formed construction of extra high tensile steel consisting of one base section and four telescoping sections. The two plate design of each section has multiple longitudinal bends for superior strength. Each telescoping section extends independently by means of one double-acting, single stage hydraulic cylinder with integrated holding valves.

### Boom

- 38–140 ft (11.6–42.7m) five section boom
- Three boom extend modes (EM1 through EM3), controlled from the operator's cab, provide superior capacities by varying the extension of the telescoping sections:
  - EM1 extends to 140.0 ft (42.7m)
  - EM2 extends to 115.8 ft (35.3m)
  - EM3 extends to 76.5 ft (23.3m)
- Mechanical boom angle indicator
- Maximum tip height for each extend mode is:
  - EM1 is 149 ft 7 in (45.6m)
  - EM2 is 125 ft 9 in (38.3m)
  - EM3 is 87 ft 1 in (26.5m)

### Boom Wear Pads

- Wear pads with Teflon inserts that self-lubricate the boom sections
- Bottom wear pads are universal for all boom sections
- Top wear pads are universal for all boom sections

### Boom Head

- Five 16.5 in (41.9cm) root diameter nylon sheaves to handle up to ten parts of line
- Easily removable wire rope guards
- Rope dead end lugs on each side of the boom head
- Boom head is designed for quick-reeve of the hook block

### Boom Elevation

- One double acting hydraulic cylinder with integral holding valve
- Boom elevation:  $-3^{\circ}$  to  $80^{\circ}$

### Auxiliary Lifting Sheave – Optional

- Single 16.5 in (41.9m) root diameter nylon sheave
- Easily removable wire rope guards
- Does not affect erection of the fly or use of the main head sheaves

### Hook Blocks and Balls – Optional

- 40 ton (36.3mt) 4 sheave quick-reeve hook block with safety latch
- 60 ton (54.4mt) 4 sheave quick-reeve hook block with safety latch
- 80 ton (72.5mt) 5 sheave quick-reeve hook block with safety latch
- 90 ton (80.0mt) 6 sheave quick-reeve hook block with safety latch
- 8.5 ton (7.7mt) swivel and non-swivel hook balls with safety latch
- 10 ton (9.1mt) swivel and non-swivel hook balls with safety latch

### Fly – Optional

- 35 ft (10.7m) one piece lattice fly, stowable, offsettable to  $2^{\circ}$ ,  $15^{\circ}$ ,  $30^{\circ}$ , and  $45^{\circ}$ . Maximum tip height is 184 ft 2 in (56.1m).
- 35 ft–58 ft (10.7–17.7m) two piece bi-fold lattice fly, stowable, offsettable to  $2^{\circ}$ ,  $15^{\circ}$ ,  $30^{\circ}$ , and  $45^{\circ}$ . Maximum tip height is 206 ft 8 in (63.0m).

### Fly Extensions – Optional

- One 16 ft (4.9m) lattice extension, equipped with two 16.5 in (41.9cm) root diameter nylon sheaves, to be mounted between the boom head and fly options. Maximum tip height is 222 ft 4 in (67.8m).
- Two 16 ft (4.9m) lattice extensions, one equipped with two 16.5 in (41.9cm) root diameter nylon sheaves, to be mounted between the boom head and fly options. Maximum tip height is 238 ft 2 in (72.6m). Minimum of 19,200 lb (8 700kg) of counterweight required.

## ■ Operator's Cab and Controls

**Environmental Cab** – Fully enclosed, one person cab of galvanneal steel structure with acoustical insulation

Equipped with:

- Tinted and tempered glass windows
- Extra–large fixed front window with windshield wiper and washer
- Swing up roof window with windshield wiper
- Sliding left side door with large fixed window
- Sliding rear and right side windows for ventilation
- Six way adjustable, cushioned seat with seat belt and storage compartment
- Diesel fired warm–water heater with air ducts for front windshield defroster and cab floor
- Defroster fan for the front window
- Bubble level
- Circulating fan
- Adjustable sun visor
- Dome light
- Cup holder
- Fire extinguisher
- Left side viewing mirror
- Two position travel swing lock

**Air Conditioning – Optional** – Integral with cab heating system utilizing the same ventilation outlets

**Engine Dependant Warm–Water Heater – Optional** – With air ducts for front windshield defroster and cab floor

**Steering Column** – Pedestal type with tilt and telescope functions for operator comfort. Column includes the following controls and indicators:

Left and right levers include:

- Horn button
  - Turn signal switch
  - Driving light switch
  - Transmission direction switch
- Panel mounted switches for:
- Travel park brake
  - Steer mode selector
  - 2/4 wheel drive/range selector

- Transmission gear selector
  - Hazard flasher
- Panel mounted indicator/warning lights for:
- Transmission temperature
  - Engine oil pressure
  - Travel park brake
  - Service brake
  - Turn signals
  - Rear wheel offset
  - Emergency steer – optional

**Armrest Controls** – Two dual axis hydraulic joystick controllers or optional single axis hydraulic controllers for:

- Cab heater and A/C Controls
- Swing
- Boom hoist
- Main rear winch
- Auxiliary front winch – optional
- Drum rotation indication
- Drum rotation indicator activation switch
- Winch high/low speed and disable switch(es)
- Warning horn button
- Swing park brake

**Outrigger Controls** – Hand held control box with umbilical cord gives the operator the freedom to view operation while setting the outriggers.

**Foot Controls**

- Boom telescope
- Swing brake
- Engine throttle
- Service brake

**Right Front Console** – Controls and indicators for:

- |                                     |   |
|-------------------------------------|---|
| • Engine ignition                   | • Bubble level                            |
| • Engine throttle lock              | • 12 volt power connection                |
| • Function disable                  | • Air conditioning – optional             |
| • Front windshield wiper and washer | • Boom floodlight – optional              |
| • Cab floodlights                   | • Rotating beacon/Strobe light – optional |
| • Warning horn                      | • Third wrap indicator – optional         |
| • Console dimmer switch             |   |

**Cab Instrumentation** – Ergonomically positioned, analog instrumentation for crane operation including:

- Engine coolant temperature with warning indicator
- Hydraulic oil temperature with warning indicator
- Fuel level with warning indicator
- Tachometer
- Transmission temperature with warning indicator
- Voltmeter with warning indicator

**Link-Belt Pulse** – The Link-Belt in-house designed, total crane operating system that utilizes the display as a readout and operator interface for the following systems:

- **Rated capacity limiter** – LCD graphic audio – visual warning system integrated into the dash with anti – two block and function limiter. Operating data includes:
  - Crane configuration
  - Boom length and angle
  - Boom head height
  - Allowed load and % of allowed load
  - RCL light bar
  - Boom angle
  - Radius of load
  - Actual load
  - Wind speed
  - Unit Conversion
  - Multiple language capabilities
  - Highlighted unit of measurement on working screen
  - Active pin/latch status
  - Telescope operation displayed in real time
  - Counterweight installation/removal
  - Third wrap indicator
  - Diagnostics
  - Operator settable alarms (include):
    - Maximum and minimum boom angles
    - Maximum tip height
    - Maximum boom length
    - Swing left/right positions
    - Operator defined area (imaginary plane)
- **Extend control module (ECM)**
  - Controls the extend modes
  - Diagnostics

**Integrated Third Wrap Indicator – Optional** – Micro-guard color display visually and audibly warns the operator when the wire rope is on the first/bottom layer and when the wire rope is down to the last three wraps.

**Internal RCL Light Bar – Optional** – Visually informs the operator when crane is approaching maximum load capacity with a series of green, yellow, and red lights.

**External RCL Light Bar – Optional** – Visually informs the ground crew when crane is approaching maximum load capacity with a series of green, yellow, and red lights.

## ■ Swing

**Motor/Planetary** – Bi-directional hydraulic swing motor mounted to a planetary reducer for 360° continuous smooth swing at 1.9 rpm

**Swing Park Brake** – 360°, electric over hydraulic, (spring applied/hydraulic released) multi-disc brake mounted on the speed reducer. Operated by a switch from the operator's cab.

**Swing Brake** – 360°, foot operated, hydraulic applied disc brake mounted to the speed reducer

**Swing Lock** – Two-position swing lock (boom over front or rear) operated from the operator's cab

**360° Positive Swing Lock – Optional** – Meets New York City requirement

## ■ Electrical

**Swing Alarm** – Audio warning device signals when the upper is swinging.

### Lights

- Two working lights on front of the cab
- One rotating amber beacon on top of the cab – optional
- One amber strobe beacon on top of the cab – optional
- Boom floodlight – optional

## Load Hoist System

### Load Hoist Performance

| Main (Rear) and Auxiliary (Front) Winches – 3/4 in (19mm) Rope |                   |       |                   |       |                 |       |       |      |       |       |
|--|-------------------|-------|-------------------|-------|-----------------|-------|-------|------|-------|-------|
| Layer  | Maximum Line Pull |       | Normal Line Speed |       | High Line Speed |       | Layer |      | Total |       |
|  | lb                | kN    | ft/min            | m/min | ft/min          | m/min | ft    | m    | ft    | m     |
| 1  | 16,880            | 75.09 | 172               | 52.4  | 341             | 104.0 | 114   | 34.7 | 114   | 34.7  |
| 2  | 15,519            | 69.03 | 187               | 57.0  | 371             | 113.1 | 124   | 37.8 | 238   | 72.5  |
| 3  | 14,362            | 63.89 | 202               | 61.6  | 401             | 122.2 | 134   | 40.8 | 372   | 113.4 |
| 4  | 13,365            | 59.45 | 217               | 66.1  | 430             | 131.1 | 144   | 43.9 | 516   | 157.3 |
| 5  | 12,497            | 55.59 | 232               | 70.7  | 460             | 140.2 | 154   | 46.9 | 670   | 204.2 |
| 6  | ---               | ---   | ---               | ---   | ---             | ---   | 164   | 50.0 | 834   | 254.2 |

| Wire Rope Application   |          | Diameter |    | Type   | Maximum Permissible Load |       |
|-------------------------|----------|----------|----|--|--------------------------|-------|
|                         |          | in       | mm |  | lb                       | kN    |
| Main (Rear) Winch       | Standard | 3/4      | 19 | 18x19 rotation resistant – right regular lay (Type RB) | 12,920                   | 57.47 |
|                         | Optional | 3/4      | 19 | 4 strand, low torque, right regular lay (Type GC)      | 22,400                   | 99.64 |
|                         | Optional | 3/4      | 19 | 34x7 rotation resistant – right regular lay (Type ZB)  | 15,600                   | 69.39 |
| Auxiliary (Front) Winch | Standard | 3/4      | 19 | 18x19 rotation resistant – right regular lay (Type RB) | 12,920                   | 57.47 |
|                         | Optional | 3/4      | 19 | 4 strand, low torque, right regular lay (Type GC)      | 22,400                   | 99.64 |
|                         | Optional | 3/4      | 19 | 34x7 rotation resistant – right regular lay (Type ZB)  | 15,600                   | 69.39 |

### 2M Main and Optional Auxiliary Winches

- Axial piston, full and half displacement (2–speed) motors driven through planetary reduction unit for positive control under all load conditions.
- Grooved lagging
- Power up/down mode of operation
- Hoist drum cable follower – optional
- Drum rotation indicator
- Drum diameter: 16 in (40.6cm)
- Rope length:
  - Main: 730 ft (222.5m)
  - Auxiliary: 500 ft (152.4m) or 730 ft (222.5m)
- Maximum rope storage: 834 ft (254.2m)
- Terminator style socket and wedge

**Third wrap indicator – optional** – Visually and audibly warns the operator when the wire rope is on the first/bottom layer and when the wire rope is down to the last three wraps

### Hydraulic System

**Counterbalance Valves** – All hoist motors, boom extend cylinders, and boom hoist cylinders are equipped with counterbalance valves to provide load lowering and prevents accidental load drop when hydraulic power is suddenly reduced.

**Hydraulic Oil Coolers** – Two carrier mounted coolers remove heat from the hydraulic oil. One is integral to the engine radiator/charge air cooler and the other is mounted on left side of the carrier.

### Counterweight

**Standard** – Total of 19,200 lb (8 709.0kg) counterweight consisting of two counterweights pinned to the upper with capacities for:

- 0 lb (0kg) counterweight\*
- 9,600 lb (4 354.5kg) counterweight
- 19,200 lb (8 709.0kg) counterweight

**Optional** – 9,600 lb (4 354.5kg) in addition to standard counterweight for a total of 28,800 lb (13 063.0kg) counterweight with capacities for:

- 0 lb (0kg) counterweight\*
- 9,600 lb (4 354.5kg) counterweight
- 19,200 lb (8 709.0kg) counterweight
- 28,800 lb (13 063.0kg) counterweight\*

\* Travel speed limited to 5 mph.

**Optional** – Hydraulic counterweight removal activated by a hand–held controller with enough cable to access the pins on each side of the counterweights.

## Carrier

### ■ General

- 10 ft 9 in (3.28m) wide
- 14 ft 4 in (4.37m) wheelbase (centerline of first axle to centerline of second axle)

**Frame** – Box–type, torsion resistant, welded construction made of high tensile steel. Equipped with front and rear towing and tie–down lugs, tow connections, and access ladders.

### ■ Outriggers

**Boxes** – Two double box, front and rear welded to carrier frame

**Beams and Jacks** – Four single stage beams with Confined Area Lifting Capacities (CALC™) provide selectable outrigger extensions of full, intermediate, and retracted. Hydraulically controlled from the operator’s cab with integral check valves.

**Pontoons** – Four lightweight, quick release, 23.5 x 23.5 in (59.7 x 59.7cm), steel pontoons with contact area of 460 in<sup>2</sup> (2 968cm<sup>2</sup>) can be stored for road travel in storage racks on the carrier.

**Main Jack Reaction** – 108,000 lb (48 988kg) force and 235 psi (1 620kPa) ground bearing pressure

### ■ Steering and Axles

**Steering** – Four independent modes consisting of two wheel front, two wheel rear, four wheel, and crab. Each mode is controlled from the steering wheel and is selected by a switch in the operator’s cab.

**Drive** – Two modes: 4 x 2 and 4 x 4 for off highway travel

**Axle 1** – Steered, non–driven for 4 x 2 and steered, driven for 4 x 4

**Axle 2** – Steered, driven

### ■ Suspension

**Front** – Rigid mount to the carrier frame

**Rear** – The rear axle is suspended on the oscillation cylinders with motion of the axle controlled by a four bar linkage system. The oscillation cylinders lockout when the upper structure rotates 2.5° past centerline.

- Hydro–gas rear suspension – optional

**Ride Height Adjustment** – Suspension can be lowered for transport using a hand–held controller from level ground.

### ■ Tires and Wheels

**Front and Rear** – Four (single) 29.5 x 25–28 ply rating, earthmover type tires on steel disc wheels

- Spare tires and wheels – optional

### ■ Brakes

**Service** – Full hydraulic, dual circuit, disc type brakes on all wheel ends

**Parking/Emergency** – Spring applied type, acting on front axle

### ■ Electrical

Two batteries provide 12 volt starting and operation

#### Lights

- Front lighting includes two main headlights and two parking/directional indicators.
- Side lighting includes two parking/directional indicators per side.
- Rear lighting includes two parking/directional indicators, two parking/brake lights, and two reversing lights.
- Other equipment includes hazard/warning system, cab light, instrument panel light, and signal horn.

### ■ Engine

| Specification  | CAT C6.6   |
|--|--|
| Numbers of Cylinders   | 6  |
| Cycle  | 4  |
| Bore and Stroke: inch (mm)   | 4.13 x 5.00 (105 x 127)                            |
| Piston Displacement: in <sup>3</sup> (L)                           | 402.7 (6.6)  |
| Max. Brake Horsepower: hp (kW)                                     | 235 (175.2) @ 2,000 rpm<br>225 (167.8) @ 2,200 rpm |
| Peak Torque: ft lb (Nm)  | 724 (981.7) @ 1,500 rpm                            |
| Alternator: volts – amps   | 12 – 150   |
| Crankcase Capacity: qt (L)   | 18.4 (17.4)  |
| • Mechanically driven fan and thermostatically controlled radiator |  |

### ■ Transmission

**Powershift** – Three speed with high/low range for 6 forward and 6 reverse gears. Front axle disconnect for two or four wheel drive. Front axle disconnects in high range.

## Carrier Speeds and Gradeability

| Spicer |                                 | Ratio | Speed |      | Gradeability<br>(@ stall) |
|--------|---------------------------------|-------|-------|------|---------------------------|
| Gear   |                                 |       | mph   | km/h | % Grade                   |
| 6th    | Forward &<br>Reverse<br>2WD/Hi  | 0.82  | 19.8  | 31.9 | 2.4                       |
| 5th    |                                 | 2.25  | 8.1   | 13.0 | 10.2                      |
| 4th    |                                 | 4.67  | 4.0   | 6.4  | 23.8                      |
| 3rd    | Forward &<br>Reverse<br>4WD/Low | 2.4   | 7.6   | 12.3 | 11.0                      |
| 2nd    |                                 | 6.54  | 2.9   | 4.7  | 35.2                      |
| 1st    |                                 | 13.6  | 1.4   | 2.3  | 101.2                     |

Based on a gross vehicle weight of 105,500 lb (47 854kg).

Crane operating angle must not exceed 35° (77% grade).

## Fuel Tank

One 75 gallon (283.9L) capacity tank

## Hydraulic System

All functions are hydraulically powered allowing positive precise control with independent or simultaneous operation of all functions.

### Main Pumps

- One two section fixed displacement gear pump for the front/rear winches and boom hoist/telescope circuits.
- One two section fixed displacement gear pump for the swing/steering and outrigger/telescope/service brake/oscillation circuits.
- One single section gear pump for an additional supply to the front/rear winch circuit.
- Combined pump capacity of 138 gpm (522.4Lpm)

**Hydraulic Reservoir** – 153 gal (579.2L) capacity equipped with sight level gauge. Diffusers built in for deaeration.

**Filtration** – One 10 micron, full flow return line filter. Accessible for easy filter replacement.

## Pump Drive

One pump is mounted on the engine with the rest being transmission mounted. All pumps are mechanically driven by the diesel engine.

- Front/rear winches and boom hoist/telescope pump can be disconnected with a manual pump disconnect to aid in cold weather starting – optional.

# Axle Loads

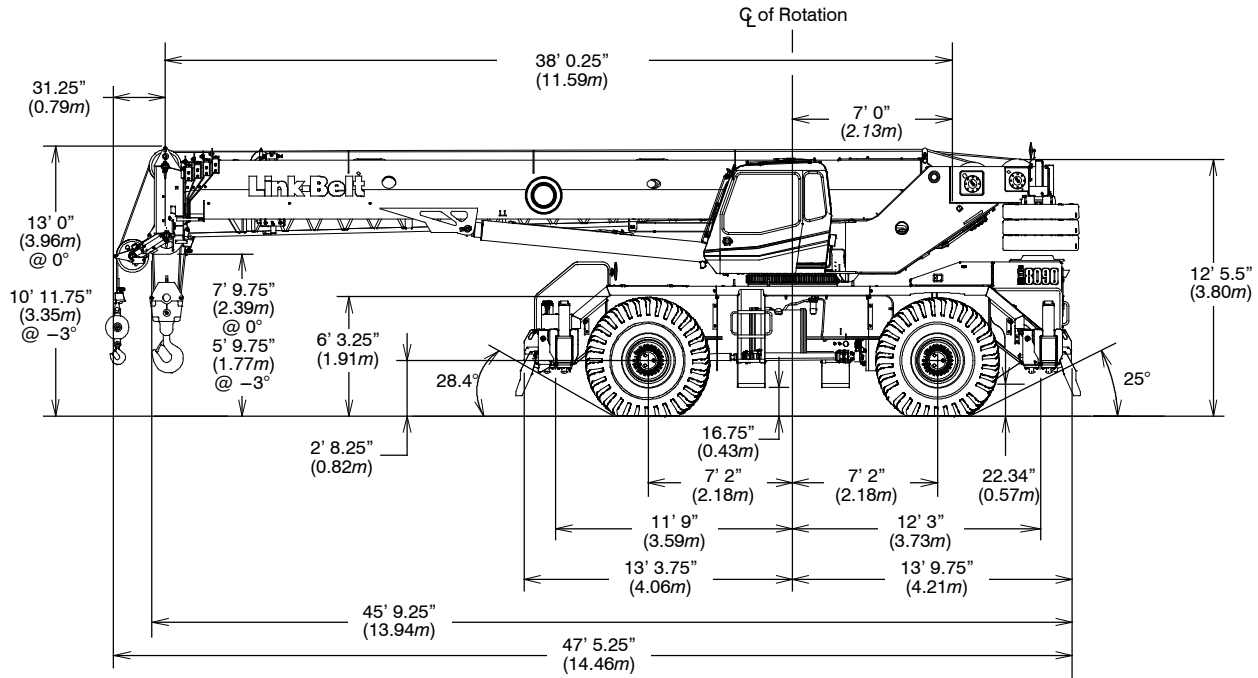
| Base crane with zero counterweight and full tank of fuel              | Gross Vehicle Weight <sup>(1)</sup> |        | Upper Facing Front |        |            |        | Upper Facing Rear |        |            |        |
|---|-------------------------------------|--------|--------------------|--------|------------|--------|-------------------|--------|------------|--------|
|   |                                     |        | Front Axles        |        | Rear Axles |        | Front Axles       |        | Rear Axles |        |
|   | lb                                  | kg     | lb                 | kg     | lb         | kg     | lb                | kg     | lb         | kg     |
|   | 79,919                              | 36 251 | 51,085             | 23 172 | 28,834     | 13 079 | 22,585            | 10 245 | 57,334     | 26 007 |
| Pintle hook, front  | 13                                  | 6      | 17                 | 8      | -5         | -2     | 17                | 8      | -5         | -2     |
| Pintle hook, rear   | 13                                  | 6      | -5                 | -2     | 18         | 8      | -5                | -2     | 18         | 8      |
| Rear steer indicator  | 6                                   | 3      | 0                  | 0      | 6          | 3      | 0                 | 0      | 6          | 3      |
| Hydro-gas suspension  | 56                                  | 25     | 20                 | 9      | 36         | 16     | 20                | 9      | 36         | 16     |
| Pump disconnect   | 39                                  | 18     | 7                  | 3      | 32         | 15     | 7                 | 3      | 32         | 15     |
| Operator in cab   | 250                                 | 113    | 140                | 64     | 110        | 50     | 110               | 50     | 140        | 64     |
| Hoist drum follower – main  | 69                                  | 31     | -24                | -11    | 93         | 42     | 93                | 42     | -24        | -11    |
| Auxiliary winch with 500 ft (152.4m) wire rope                        | 608                                 | 276    | -74                | -34    | 682        | 309    | 682               | 309    | -74        | -34    |
| Hoist drum follower – auxiliary                                       | 69                                  | 31     | -6                 | -3     | 75         | 34     | 75                | 34     | -6         | -3     |
| Substitute 500 ft (152.4m) wire rope with 730 ft (222.5m) – auxiliary | 288                                 | 131    | -9                 | -4     | 297        | 135    | 297               | 135    | -9         | -4     |
| Remove 730 ft (222.5m) wire rope from rear (main) winch               | -931                                | -422   | 203                | 92     | -1,134     | -514   | -1,134            | -514   | 203        | 92     |
| Remove 500 ft (152.4m) wire rope from front (auxiliary) winch         | -643                                | -292   | 21                 | 10     | -664       | -301   | -664              | -301   | 21         | 10     |
| Counterweight removal   | 208                                 | 94     | -62                | -28    | 270        | 122    | 270               | 122    | -62        | -28    |
| One slab of counterweight on upper                                    | 9,600                               | 4 355  | -3,356             | -1 522 | 12,956     | 5 877  | 12,956            | 5 877  | -3,356     | -1 522 |
| Two slabs of counterweight on upper                                   | 19,200                              | 8 709  | -6,712             | -3 045 | 25,912     | 11 754 | 25,912            | 11 754 | -6,712     | -3 045 |
| Three slabs of counterweight on upper                                 | 28,800                              | 13 064 | -10,068            | -4 567 | 38,868     | 17 630 | 38,868            | 17 630 | -10,068    | -4 567 |
| Emergency steering  | 255                                 | 116    | 39                 | 18     | 216        | 100    | 216               | 100    | 39         | 18     |
| 360° mechanical swing lock  | 140                                 | 64     | 72                 | 33     | 68         | 31     | 68                | 31     | 72         | 33     |
| Air conditioning  | 179                                 | 81     | 50                 | 23     | 129        | 59     | 129               | 59     | 50         | 23     |
| Floodlight to front of boom base section                              | 7                                   | 3      | 10                 | 5      | -3         | -1     | -3                | -1     | 10         | 5      |
| Fly mounting brackets to boom base section for fly options            | 176                                 | 80     | 239                | 108    | -63        | -29    | -63               | -29    | 239        | 108    |
| 35 ft (10.67m) offsettable fly – stowed                               | 1,591                               | 722    | 2,576              | 1 168  | -984       | -446   | -984              | -446   | 2,576      | 1 168  |
| 35–58 ft (10.67–17.68m) offsettable fly – stowed                      | 2,263                               | 1 026  | 3,257              | 1 477  | -994       | -451   | -994              | -451   | 3,257      | 1 477  |
| Auxiliary lifting sheave  | 110                                 | 50     | 304                | 138    | -194       | -88    | -194              | -88    | 304        | 138    |
| 90 ton (80.0mt) 6–sheave hook block at bumper                         | 1,554                               | 705    | 2,358              | 1 070  | -804       | -365   | -804              | -365   | 2,358      | 1 070  |
| 80 ton (72.5mt) 5–sheave hook block at bumper                         | 1,406                               | 638    | 2,134              | 968    | -728       | -330   | -728              | -330   | 2,134      | 968    |
| 60 ton (54.4mt) 4–sheave hook block at bumper                         | 1,109                               | 503    | 1,683              | 763    | -574       | -260   | -574              | -260   | 1,683      | 763    |
| 10 ton (9.1mt) hook ball at bumper                                    | 550                                 | 250    | 834                | 378    | -284       | -129   | -284              | -129   | 834        | 378    |
| 8.5 ton (7.7mt) hook ball at bumper                                   | 360                                 | 163    | 546                | 248    | -186       | -84    | -186              | -84    | 546        | 248    |
| 90 ton (80.0mt) 6–sheave hook block at boom head                      | 1,554                               | 705    | 4,138              | 1 877  | -2,584     | -1 172 | -2,584            | -1 172 | 4,138      | 1 877  |
| 80 ton (72.5mt) 5–sheave hook block at boom head                      | 1,406                               | 638    | 3,744              | 1 698  | -2,338     | -1 061 | -2,338            | -1 061 | 3,744      | 1 698  |
| 60 ton (54.4mt) 4–sheave hook block at boom head                      | 1,109                               | 503    | 2,953              | 1 340  | -1,844     | -836   | -1,844            | -836   | 2,953      | 1 340  |
| 10 ton (9.1mt) hook ball at boom head                                 | 550                                 | 250    | 1,465              | 665    | -915       | -415   | -915              | -415   | 1,465      | 665    |
| 8.5 ton (7.7mt) hook ball at boom head                                | 360                                 | 163    | 959                | 435    | -599       | -272   | -599              | -272   | 959        | 435    |

| Tire              | Maximum Allowable Axle Load @ 20 mph (32.2km/h) |
|-------------------|---|
| 29.5 x 25 (28–PR) | 55,000 lb (24 948kg)                            |

<sup>(1)</sup> Adjust gross vehicle weight and axle loading according to component weight.

Note: All weights are ±3%.

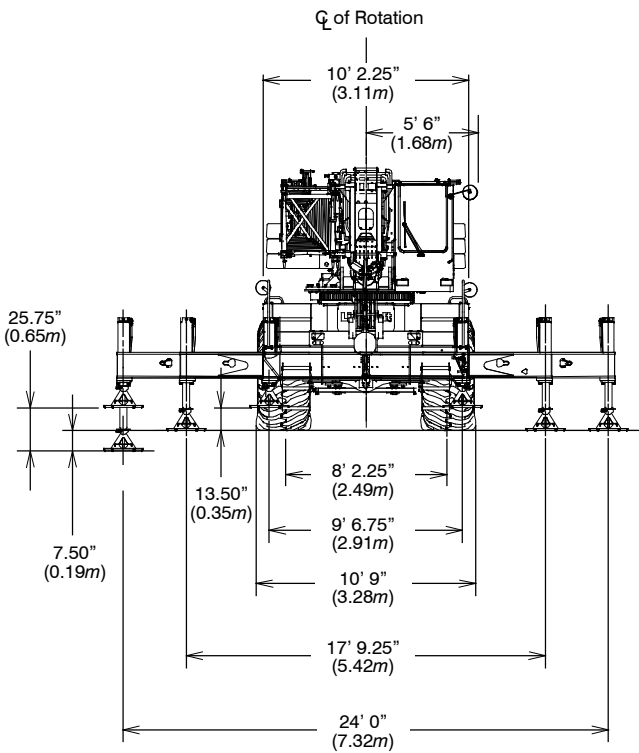
# General Dimensions



| Turning Radius – Front Wheel (4x2) Steering |         |        |
|---|---------|--------|
|   | English | Metric |
| Wall to wall over carrier                   | 48' 3"  | 14.71m |
| Wall to wall over boom attachment           | 60' 1"  | 18.32m |
| Curb to curb                                | 46' 8"  | 13.80m |
| Centerline of tire                          | 45' 4"  | 10.28m |

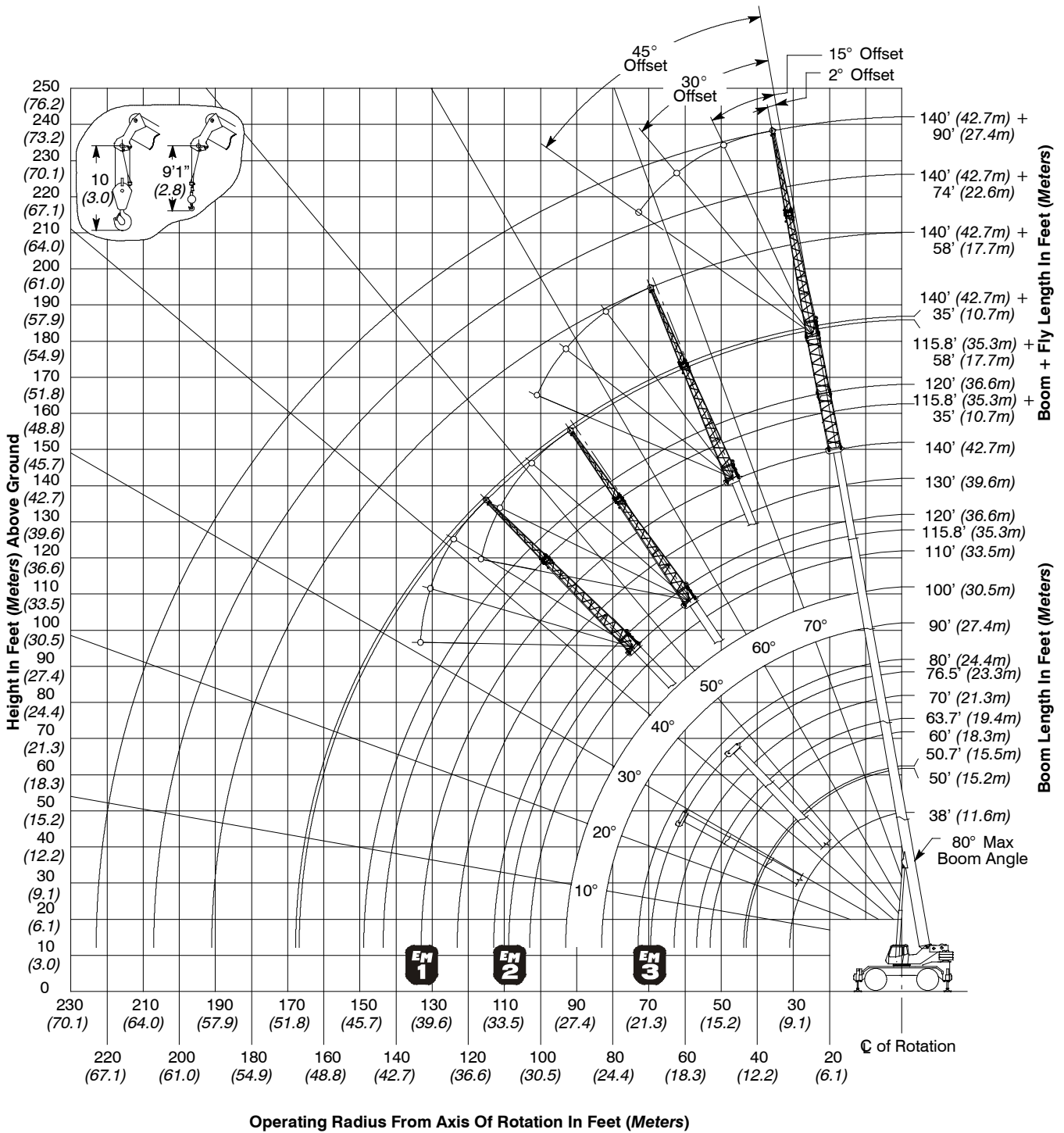
| Turning Radius – All Wheel (4x4) Steering |         |        |
|---|---------|--------|
|   | English | Metric |
| Wall to wall over carrier                 | 27' 10" | 8.49m  |
| Wall to wall over boom attachment         | 38' 11" | 11.86m |
| Curb to curb                              | 26' 0"  | 7.91m  |
| Centerline of tire                        | 24' 7"  | 7.50m  |

| Tail Swing            |         |        |
|-----------------------|---------|--------|
|                       | English | Metric |
| With counterweight    | 14' 2"  | 4.32m  |
| Without counterweight | 13' 2"  | 3.97m  |



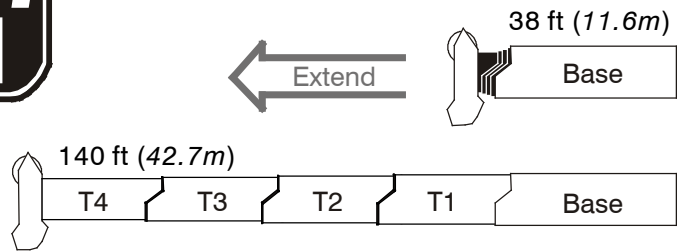
Not To Scale

# Working Range Diagram

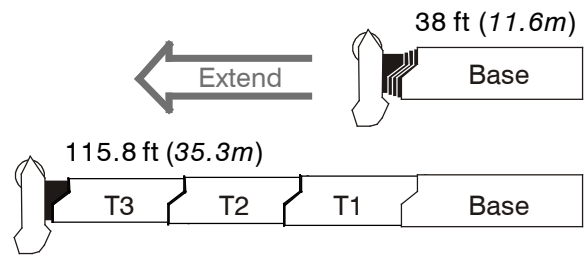


# Boom Extend Modes

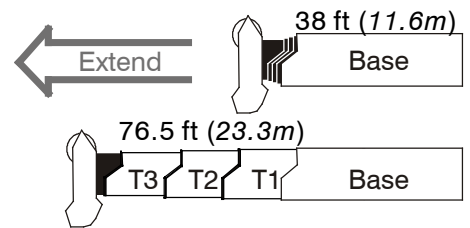
| Boom Length |      | Section Length |      |      |      |
|-------------|------|----------------|------|------|------|
| ft          | m    | T4             | T3   | T2   | T1   |
| 50          | 15.2 | 50%            |      |      |      |
| 60          | 18.3 | 91%            |      |      |      |
| 70          | 21.3 | 100%           | 31%  |      |      |
| 80          | 24.4 | 100%           | 71%  |      |      |
| 90          | 27.4 | 100%           | 100% | 11%  |      |
| 100         | 30.5 | 100%           | 100% | 49%  |      |
| 110         | 33.5 | 100%           | 100% | 88%  |      |
| 120         | 36.6 | 100%           | 100% | 100% | 25%  |
| 130         | 39.6 | 100%           | 100% | 100% | 63%  |
| 140         | 42.7 | 100%           | 100% | 100% | 100% |



| Boom Length |      | Section Length |      |      |      |
|-------------|------|----------------|------|------|------|
| ft          | m    | T4             | T3   | T2   | T1   |
| 50          | 15.2 | 0%             | 48%  |      |      |
| 60          | 18.3 | 0%             | 88%  |      |      |
| 70          | 21.3 | 0%             | 100% | 27%  |      |
| 80          | 24.4 | 0%             | 100% | 65%  |      |
| 90          | 27.4 | 0%             | 100% | 100% | 4%   |
| 100         | 30.5 | 0%             | 100% | 100% | 41%  |
| 115.8       | 35.3 | 0%             | 100% | 100% | 100% |



| Boom Length |      | Section Length |     |     |     |
|-------------|------|----------------|-----|-----|-----|
| ft          | m    | T4             | T3  | T2  | T1  |
| 50.7        | 15.5 | 0%             | 51% |     |     |
| 63.7        | 19.4 | 0%             | 51% | 50% |     |
| 76.5        | 23.3 | 0%             | 51% | 50% | 48% |



# Main Boom Lift Capacity Charts – Standard

| 19,200 lb Counterweight – Fully Extended Outriggers – 360° Rotation<br>(All Capacities Are Listed In Pounds) |                  |         |         |        |        |        |        |        |        |        |        |                |
|--|------------------|---------|---------|--------|--------|--------|--------|--------|--------|--------|--------|----------------|
| Radius<br>(ft)   | Boom Length (ft) |         |         |        |        |        |        |        |        |        |        | Radius<br>(ft) |
|  | 38               | 50      | 60      | 70     | 80     | 90     | 100    | 110    | 120    | 130    | 140    |                |
| 8  | 180,000*         |         |         |        |        |        |        |        |        |        |        | 8              |
| 10   | 160,000          | 152,000 | 117,900 | 70,800 |        |        |        |        |        |        |        | 10             |
| 12   | 138,000          | 138,600 | 108,800 | 70,800 | 85,100 |        |        |        |        |        |        | 12             |
| 15   | 109,500          | 111,700 | 106,500 | 70,800 | 78,400 | 54,200 |        |        |        |        |        | 15             |
| 20   | 80,100           | 82,400  | 82,800  | 63,500 | 76,500 | 52,000 | 49,100 | 27,200 |        |        |        | 20             |
| 25   | 62,000           | 64,300  | 64,800  | 54,800 | 64,300 | 45,600 | 45,200 | 36,300 | 28,000 | 26,900 |        | 25             |
| 30   | 49,700           | 52,000  | 52,600  | 47,800 | 52,100 | 40,600 | 42,200 | 35,900 | 28,000 | 26,500 | 24,400 | 30             |
| 35   |                  | 42,900  | 44,100  | 42,500 | 42,800 | 36,500 | 38,300 | 35,500 | 28,000 | 26,300 | 24,100 | 35             |
| 40   |                  | 34,300  | 34,600  | 35,000 | 35,100 | 33,000 | 34,700 | 33,400 | 28,000 | 26,100 | 24,000 | 40             |
| 45   |                  |         | 28,100  | 28,400 | 28,500 | 28,500 | 28,100 | 27,500 | 26,100 | 25,900 | 23,800 | 45             |
| 50   |                  |         | 23,200  | 23,600 | 23,700 | 23,800 | 23,300 | 23,800 | 24,100 | 24,600 | 23,700 | 50             |
| 55   |                  |         | 19,000  | 20,800 | 21,300 | 20,000 | 21,300 | 21,700 | 21,300 | 20,900 | 20,500 | 55             |
| 60   |                  |         |         | 18,400 | 18,800 | 18,300 | 18,800 | 18,700 | 18,300 | 17,900 | 17,600 | 60             |
| 65   |                  |         |         |        | 16,300 | 16,500 | 16,400 | 16,300 | 15,900 | 15,500 | 15,100 | 65             |
| 70   |                  |         |         |        | 14,300 | 14,500 | 14,400 | 14,300 | 13,900 | 13,500 | 13,200 | 70             |
| 75   |                  |         |         |        |        | 12,800 | 12,800 | 12,700 | 12,300 | 12,000 | 11,600 | 75             |
| 80   |                  |         |         |        |        | 11,400 | 11,300 | 11,200 | 10,900 | 10,500 | 10,200 | 80             |
| 85   |                  |         |         |        |        |        | 10,100 | 10,000 | 9,700  | 9,300  | 9,000  | 85             |
| 90   |                  |         |         |        |        |        | 9,000  | 8,900  | 8,600  | 8,200  | 7,900  | 90             |
| 95   |                  |         |         |        |        |        |        | 8,000  | 7,700  | 7,300  | 7,000  | 95             |
| 100  |                  |         |         |        |        |        |        | 7,100  | 6,800  | 6,500  | 6,200  | 100            |
| 105  |                  |         |         |        |        |        |        | 4,200  | 6,100  | 5,700  | 5,400  | 105            |
| 110  |                  |         |         |        |        |        |        |        | 5,400  | 5,100  | 4,700  | 110            |
| 115  |                  |         |         |        |        |        |        |        |        | 4,500  | 4,200  | 115            |
| 120  |                  |         |         |        |        |        |        |        |        | 3,900  | 3,600  | 120            |
| 125  |                  |         |         |        |        |        |        |        |        |        | 3,100  | 125            |
| 130  |                  |         |         |        |        |        |        |        |        |        | 2,700  | 130            |

\* Special Conditions Or Wire Rope Required

This information is not for crane operation. Operator must refer to the in-cab information for crane operation. Rated lifting capacities shown on fully extended outriggers do not exceed 85% of the tipping loads and on tires do not exceed 75% of the tipping loads.

| <b>19,200 lb Counterweight – On Tires – Stationary – Boom Centered Over Front Between Tire Tracks</b><br>(All Capacities Are Listed In Pounds) |                  |        |        |        |        |        |        |        |                |
|--|------------------|--------|--------|--------|--------|--------|--------|--------|----------------|
| Radius<br>(ft)   | Boom Length (ft) |        |        |        |        |        |        |        | Radius<br>(ft) |
|  | 38               | 50     | 60     | 70     | 80     | 90     | 100    | 110    |                |
| 15   | 54,700           |        |        |        |        |        |        |        | 15             |
| 20   | 43,300           |        |        |        |        |        |        |        | 20             |
| 25   | 33,000           | 36,200 |        |        |        |        |        |        | 25             |
| 30   | 23,400           | 26,500 | 27,900 |        |        |        |        |        | 30             |
| 35   |                  | 20,300 | 21,700 | 22,300 |        |        |        |        | 35             |
| 40   |                  | 15,900 | 17,300 | 17,900 | 18,300 |        |        |        | 40             |
| 45   |                  |        | 14,000 | 14,700 | 15,100 | 15,200 |        |        | 45             |
| 50   |                  |        | 11,600 | 12,200 | 12,600 | 12,700 | 12,700 |        | 50             |
| 55   |                  |        |        | 10,200 | 10,700 | 10,900 | 10,800 | 10,700 | 55             |
| 60   |                  |        |        | 8,600  | 9,000  | 9,200  | 9,200  | 9,100  | 60             |
| 65   |                  |        |        |        | 7,700  | 7,900  | 7,800  | 7,800  | 65             |
| 70   |                  |        |        |        | 6,600  | 6,800  | 6,700  | 6,700  | 70             |
| 75   |                  |        |        |        |        | 5,800  | 5,800  | 5,700  | 75             |
| 80   |                  |        |        |        |        | 5,000  | 4,900  | 4,900  | 80             |
| 85   |                  |        |        |        |        |        | 4,200  | 4,200  | 85             |
| 90   |                  |        |        |        |        |        | 3,600  | 3,500  | 90             |
| 95   |                  |        |        |        |        |        |        | 3,000  | 95             |
| 100  |                  |        |        |        |        |        |        | 2,500  | 100            |

This information is not for crane operation. Operator must refer to the in-cab information for crane operation. Rated lifting capacities shown on fully extended outriggers do not exceed 85% of the tipping loads and on tires do not exceed 75% of the tipping loads.

| <b>19,200 lb Counterweight – On Tires – Pick &amp; Carry (Creep) – Boom Centered Over Front</b><br>(All Capacities Are Listed In Pounds) |                  |        |        |        |        |        |        |        |                |
|--|------------------|--------|--------|--------|--------|--------|--------|--------|----------------|
| Radius<br>(ft)   | Boom Length (ft) |        |        |        |        |        |        |        | Radius<br>(ft) |
|  | 38               | 50     | 60     | 70     | 80     | 90     | 100    | 110    |                |
| 15   | 52,200           |        |        |        |        |        |        |        | 15             |
| 20   | 40,100           |        |        |        |        |        |        |        | 20             |
| 25   | 31,700           | 34,100 |        |        |        |        |        |        | 25             |
| 30   | 23,400           | 26,500 | 27,900 |        |        |        |        |        | 30             |
| 35   |                  | 20,300 | 21,700 | 22,300 |        |        |        |        | 35             |
| 40   |                  | 15,900 | 17,300 | 17,900 | 18,300 |        |        |        | 40             |
| 45   |                  |        | 14,000 | 14,700 | 15,100 | 15,200 |        |        | 45             |
| 50   |                  |        | 11,600 | 12,200 | 12,600 | 12,700 | 12,700 |        | 50             |
| 55   |                  |        |        | 10,200 | 10,700 | 10,900 | 10,800 | 10,700 | 55             |
| 60   |                  |        |        | 8,600  | 9,000  | 9,200  | 9,200  | 9,100  | 60             |
| 65   |                  |        |        |        | 7,700  | 7,900  | 7,800  | 7,800  | 65             |
| 70   |                  |        |        |        | 6,600  | 6,800  | 6,700  | 6,700  | 70             |
| 75   |                  |        |        |        |        | 5,800  | 5,800  | 5,700  | 75             |
| 80   |                  |        |        |        |        | 5,000  | 4,900  | 4,900  | 80             |
| 85   |                  |        |        |        |        |        | 4,200  | 4,200  | 85             |
| 90   |                  |        |        |        |        |        | 3,600  | 3,500  | 90             |
| 95   |                  |        |        |        |        |        |        | 3,000  | 95             |
| 100  |                  |        |        |        |        |        |        | 2,500  | 100            |

| <b>19,200 lb Counterweight – On Tires – Stationary – 360° Rotation</b><br>(All Capacities Are Listed In Pounds) |                  |        |        |        |       |       |       |       |                |
|---|------------------|--------|--------|--------|-------|-------|-------|-------|----------------|
| Radius<br>(ft)  | Boom Length (ft) |        |        |        |       |       |       |       | Radius<br>(ft) |
|   | 38               | 50     | 60     | 70     | 80    | 90    | 100   | 110   |                |
| 15  | 33,700           |        |        |        |       |       |       |       | 15             |
| 20  | 20,400           |        |        |        |       |       |       |       | 20             |
| 25  | 13,200           | 15,900 |        |        |       |       |       |       | 25             |
| 30  | 8,700            | 11,400 | 12,700 |        |       |       |       |       | 30             |
| 35  |                  | 8,200  | 9,500  | 10,200 |       |       |       |       | 35             |
| 40  |                  | 5,900  | 7,200  | 7,800  | 8,200 |       |       |       | 40             |
| 45  |                  |        | 5,500  | 6,100  | 6,500 | 6,700 |       |       | 45             |
| 50  |                  |        | 4,100  | 4,700  | 5,100 | 5,300 | 5,200 |       | 50             |
| 55  |                  |        |        | 3,600  | 4,000 | 4,100 | 4,100 | 4,100 | 55             |
| 60  |                  |        |        | 2,700  | 3,000 | 3,200 | 3,200 | 3,100 | 60             |
| 65  |                  |        |        |        | 2,300 | 2,500 | 2,400 | 2,400 | 65             |
| 70  |                  |        |        |        | 1,600 | 1,800 | 1,800 | 1,700 | 70             |
| 75  |                  |        |        |        |       | 1,200 | 1,200 | 1,100 | 75             |

This information is not for crane operation. Operator must refer to the in-cab information for crane operation. Rated lifting capacities shown on fully extended outriggers do not exceed 85% of the tipping loads and on tires do not exceed 75% of the tipping loads.

| 28,800 lb Counterweight – Fully Extended Outriggers – 360° Rotation<br>(All Capacities Are Listed In Pounds) |                  |         |         |        |        |        |        |        |        |        |        |                |
|--|------------------|---------|---------|--------|--------|--------|--------|--------|--------|--------|--------|----------------|
| Radius<br>(ft)   | Boom Length (ft) |         |         |        |        |        |        |        |        |        |        | Radius<br>(ft) |
|  | 38               | 50      | 60      | 70     | 80     | 90     | 100    | 110    | 120    | 130    | 140    |                |
| 8  | 180,000          |         |         |        |        |        |        |        |        |        |        | 8              |
| 10   | 160,000          | 152,000 | 117,900 | 70,800 |        |        |        |        |        |        |        | 10             |
| 12   | 139,600          | 138,600 | 108,800 | 70,800 | 85,100 |        |        |        |        |        |        | 12             |
| 15   | 116,300          | 118,400 | 106,500 | 70,800 | 78,400 | 54,200 |        |        |        |        |        | 15             |
| 20   | 85,300           | 87,500  | 87,900  | 63,500 | 76,500 | 52,000 | 49,100 | 27,200 |        |        |        | 20             |
| 25   | 66,200           | 68,500  | 69,000  | 54,800 | 68,500 | 45,600 | 45,200 | 36,300 | 28,000 | 26,900 |        | 25             |
| 30   | 53,200           | 55,500  | 56,100  | 47,800 | 55,700 | 40,600 | 42,200 | 35,900 | 28,000 | 26,500 | 24,400 | 30             |
| 35   |                  | 46,200  | 46,800  | 42,500 | 46,400 | 36,500 | 38,300 | 35,500 | 28,000 | 26,300 | 24,100 | 35             |
| 40   |                  | 39,600  | 40,100  | 38,100 | 39,300 | 33,000 | 34,900 | 33,400 | 28,000 | 26,100 | 24,000 | 40             |
| 45   |                  |         | 34,200  | 34,500 | 33,800 | 30,100 | 32,100 | 30,300 | 26,100 | 25,900 | 23,800 | 45             |
| 50   |                  |         | 28,500  | 28,900 | 28,900 | 27,600 | 28,500 | 27,900 | 24,100 | 25,200 | 23,700 | 50             |
| 55   |                  |         | 23,700  | 24,600 | 24,700 | 24,700 | 24,300 | 23,800 | 22,300 | 23,500 | 23,600 | 55             |
| 60   |                  |         |         | 21,100 | 21,200 | 21,300 | 20,900 | 20,400 | 20,700 | 21,900 | 21,700 | 60             |
| 65   |                  |         |         |        | 18,500 | 18,500 | 18,600 | 18,900 | 19,300 | 19,300 | 18,900 | 65             |
| 70   |                  |         |         |        | 17,300 | 16,200 | 17,500 | 17,700 | 17,400 | 17,000 | 16,600 | 70             |
| 75   |                  |         |         |        |        | 14,900 | 15,900 | 15,700 | 15,400 | 15,000 | 14,700 | 75             |
| 80   |                  |         |         |        |        | 14,100 | 14,200 | 14,100 | 13,700 | 13,400 | 13,000 | 80             |
| 85   |                  |         |         |        |        |        | 12,800 | 12,700 | 12,400 | 12,000 | 11,700 | 85             |
| 90   |                  |         |         |        |        |        | 11,600 | 11,500 | 11,200 | 10,800 | 10,500 | 90             |
| 95   |                  |         |         |        |        |        |        | 10,400 | 10,100 | 9,700  | 9,400  | 95             |
| 100  |                  |         |         |        |        |        |        | 9,400  | 9,100  | 8,700  | 8,400  | 100            |
| 105  |                  |         |         |        |        |        |        | 6,300  | 8,200  | 7,900  | 7,600  | 105            |
| 110  |                  |         |         |        |        |        |        |        | 7,400  | 7,100  | 6,800  | 110            |
| 115  |                  |         |         |        |        |        |        |        |        | 6,400  | 6,100  | 115            |
| 120  |                  |         |         |        |        |        |        |        |        | 5,800  | 5,500  | 120            |
| 125  |                  |         |         |        |        |        |        |        |        |        | 4,900  | 125            |
| 130  |                  |         |         |        |        |        |        |        |        |        | 4,400  | 130            |

This information is not for crane operation. Operator must refer to the in-cab information for crane operation. Rated lifting capacities shown on fully extended outriggers do not exceed 85% of the tipping loads and on tires do not exceed 75% of the tipping loads.

## Fly Attachment Lift Capacity Charts – Optional

| 19,200 lb Counterweight – Fully Extended Outriggers – 360° Rotation<br>(All Capacities Are Listed In Pounds) |                 |       |       |       |   |                 |       |       |       |
|--|-----------------|-------|-------|-------|---|-----------------|-------|-------|-------|
| 140 ft Main Boom Length<br>2° Fly Offset   |                 |       |       |       | 140 ft Main Boom Length<br>15° Fly Offset |                 |       |       |       |
| Radius<br>(ft)   | Fly Length (ft) |       |       |       | Radius<br>(ft)                            | Fly Length (ft) |       |       |       |
|  | 35              | 58    | 74    | 90    |   | 35              | 58    | 74    | 90    |
| 35   | 12,100          |       |       |       | 35  |                 |       |       |       |
| 40   | 12,100          |       |       |       | 40  |                 |       |       |       |
| 45   | 12,100          | 8,500 |       |       | 45  | 11,500          |       |       |       |
| 50   | 12,100          | 8,400 | 6,600 |       | 50  | 11,400          |       |       |       |
| 55   | 12,100          | 8,300 | 6,600 | 5,200 | 55  | 11,200          |       |       |       |
| 60   | 12,100          | 8,100 | 6,600 | 5,200 | 60  | 11,000          | 7,200 |       |       |
| 65   | 11,900          | 8,000 | 6,600 | 5,200 | 65  | 10,800          | 7,000 | 6,300 |       |
| 70   | 11,700          | 7,800 | 6,600 | 5,200 | 70  | 10,600          | 6,800 | 6,000 | 4,800 |
| 75   | 11,500          | 7,700 | 6,600 | 5,100 | 75  | 10,400          | 6,700 | 5,700 | 4,500 |
| 80   | 10,900          | 7,500 | 6,400 | 4,800 | 80  | 10,200          | 6,500 | 5,400 | 4,200 |
| 85   | 9,600           | 7,300 | 6,000 | 4,500 | 85  | 10,000          | 6,300 | 5,100 | 4,000 |
| 90   | 8,500           | 7,100 | 5,700 | 4,200 | 90  | 9,100           | 6,200 | 4,900 | 3,700 |
| 95   | 7,600           | 6,900 | 5,400 | 4,000 | 95  | 8,100           | 6,000 | 4,600 | 3,500 |
| 100  | 6,700           | 6,700 | 5,100 | 3,700 | 100                                       | 7,200           | 5,900 | 4,400 | 3,300 |
| 105  | 6,000           | 6,400 | 4,900 | 3,500 | 105                                       | 6,400           | 5,700 | 4,200 | 3,100 |
| 110  | 5,300           | 5,700 | 4,700 | 3,300 | 110                                       | 5,700           | 5,600 | 4,100 | 3,000 |
| 115  | 4,700           | 5,100 | 4,500 | 3,200 | 115                                       | 5,000           | 5,500 | 3,900 | 2,800 |
| 120  | 4,100           | 4,500 | 4,300 | 3,000 | 120                                       | 4,400           | 5,100 | 3,700 | 2,700 |
| 125  | 3,600           | 4,000 | 3,900 | 2,800 | 125                                       | 3,900           | 4,500 | 3,600 | 2,500 |
| 130  | 3,100           | 3,600 | 3,500 | 2,700 | 130                                       | 3,400           | 4,000 | 3,500 | 2,400 |
| 135  | 2,700           | 3,100 | 3,000 | 2,500 | 135                                       | 3,000           | 3,600 | 3,300 | 2,300 |
| 140  | 2,300           | 2,700 | 2,600 | 2,400 | 140                                       | 2,500           | 3,100 | 3,000 | 2,200 |
| 145  | 2,000           | 2,400 | 2,300 | 2,200 | 145                                       | 2,200           | 2,700 | 2,600 | 2,100 |
| 150  | 1,700           | 2,000 | 1,900 | 1,900 | 150                                       | 1,800           | 2,400 | 2,200 | 2,000 |
| 155  | 1,400           | 1,700 | 1,600 | 1,600 | 155                                       | 1,500           | 2,000 | 1,900 | 1,900 |
| 160  | 1,100           | 1,400 | 1,300 | 1,300 | 160                                       | 1,200           | 1,700 | 1,600 | 1,600 |
| 165  | 800             | 1,200 | 1,000 | 1,000 | 165                                       | 900             | 1,400 | 1,300 | 1,300 |
| 170  |                 | 900   |       |       | 170                                       |                 | 1,100 | 1,000 | 1,000 |

This information is not for crane operation. Operator must refer to the in-cab information for crane operation. Rated lifting capacities shown on fully extended outriggers do not exceed 85% of the tipping loads and on tires do not exceed 75% of the tipping loads.

| 19,200 lb Counterweight – Fully Extended Outriggers – 360° Rotation<br>(All Capacities Are Listed In Pounds) |                 |       |       |       |   |                 |       |       |       |
|--|-----------------|-------|-------|-------|---|-----------------|-------|-------|-------|
| 140 ft Main Boom Length<br>30° Fly Offset  |                 |       |       |       | 140 ft Main Boom Length<br>45° Fly Offset |                 |       |       |       |
| Radius<br>(ft)   | Fly Length (ft) |       |       |       | Radius<br>(ft)                            | Fly Length (ft) |       |       |       |
|  | 35              | 58    | 74    | 90    |   | 35              | 58    | 74    | 90    |
| 40   |                 |       |       |       | 40  |                 |       |       |       |
| 45   |                 |       |       |       | 45  |                 |       |       |       |
| 50   |                 |       |       |       | 50  |                 |       |       |       |
| 55   | 10,000          |       |       |       | 55  |                 |       |       |       |
| 60   | 9,800           |       |       |       | 60  |                 |       |       |       |
| 65   | 9,700           |       |       |       | 65  | 8,800           |       |       |       |
| 70   | 9,500           |       |       |       | 70  | 8,800           |       |       |       |
| 75   | 9,400           | 5,700 | 4,600 |       | 75  | 8,700           |       |       |       |
| 80   | 9,200           | 5,600 | 4,400 | 3,600 | 80  | 8,600           |       |       |       |
| 85   | 9,100           | 5,500 | 4,200 | 3,400 | 85  | 8,600           | 4,900 | 3,700 |       |
| 90   | 9,000           | 5,400 | 4,100 | 3,200 | 90  | 8,500           | 4,900 | 3,500 | 2,900 |
| 95   | 8,500           | 5,300 | 3,900 | 3,000 | 95  | 8,400           | 4,800 | 3,400 | 2,700 |
| 100  | 7,600           | 5,200 | 3,700 | 2,900 | 100                                       | 7,900           | 4,800 | 3,300 | 2,600 |
| 105  | 6,800           | 5,100 | 3,600 | 2,700 | 105                                       | 7,000           | 4,700 | 3,200 | 2,400 |
| 110  | 6,000           | 5,000 | 3,500 | 2,600 | 110                                       | 6,200           | 4,700 | 3,100 | 2,300 |
| 115  | 5,300           | 4,900 | 3,300 | 2,400 | 115                                       | 5,500           | 4,700 | 3,000 | 2,200 |
| 120  | 4,700           | 4,800 | 3,200 | 2,300 | 120                                       | 4,900           | 4,600 | 2,900 | 2,100 |
| 125  | 4,100           | 4,700 | 3,100 | 2,200 | 125                                       | 4,300           | 4,500 | 2,800 | 2,000 |
| 130  | 3,600           | 4,500 | 3,000 | 2,100 | 130                                       | 3,700           | 4,400 | 2,700 | 1,900 |
| 135  | 3,100           | 4,000 | 2,900 | 2,000 | 135                                       | 3,200           | 4,300 | 2,700 | 1,800 |
| 140  | 2,700           | 3,500 | 2,800 | 1,900 | 140                                       |                 | 3,700 | 2,600 | 1,800 |
| 145  | 2,300           | 3,100 | 2,800 | 1,800 | 145                                       |                 | 3,300 | 2,600 | 1,700 |
| 150  | 1,900           | 2,700 | 2,600 | 1,700 | 150                                       |                 | 2,800 | 2,500 | 1,600 |
| 155  | 1,500           | 2,300 | 2,200 | 1,700 | 155                                       |                 | 2,400 | 2,400 | 1,600 |
| 160  |                 | 1,900 | 1,900 | 1,600 | 160                                       |                 | 2,000 | 2,100 | 1,500 |
| 165  |                 | 1,600 | 1,500 | 1,500 | 165                                       |                 |       | 1,700 | 1,500 |
| 170  |                 | 1,300 | 1,200 | 1,300 | 170                                       |                 |       | 1,300 | 1,400 |
| 175  |                 | 900   | 900   | 1,000 | 175                                       |                 |       |       | 1,100 |

This information is not for crane operation. Operator must refer to the in-cab information for crane operation. Rated lifting capacities shown on fully extended outriggers do not exceed 85% of the tipping loads and on tires do not exceed 75% of the tipping loads.

| 28,800 lb Counterweight – Fully Extended Outriggers – 360° Rotation<br>(All Capacities Are Listed In Pounds) |                 |       |       |       |   |                 |       |       |       |
|--|-----------------|-------|-------|-------|---|-----------------|-------|-------|-------|
| 140 ft Main Boom Length<br>2° Fly Offset   |                 |       |       |       | 140 ft Main Boom Length<br>15° Fly Offset |                 |       |       |       |
| Radius<br>(ft)   | Fly Length (ft) |       |       |       | Radius<br>(ft)                            | Fly Length (ft) |       |       |       |
|  | 35              | 58    | 74    | 90    |   | 35              | 58    | 74    | 90    |
| 35   | 12,100          |       |       |       | 35  |                 |       |       |       |
| 40   | 12,100          |       |       |       | 40  |                 |       |       |       |
| 45   | 12,100          | 8,500 |       |       | 45  | 11,500          |       |       |       |
| 50   | 12,100          | 8,400 | 6,600 |       | 50  | 11,400          |       |       |       |
| 55   | 12,100          | 8,300 | 6,600 | 5,200 | 55  | 11,200          |       |       |       |
| 60   | 12,100          | 8,100 | 6,600 | 5,200 | 60  | 11,000          | 7,200 |       |       |
| 65   | 11,900          | 8,000 | 6,600 | 5,200 | 65  | 10,800          | 7,000 | 6,300 |       |
| 70   | 11,700          | 7,800 | 6,600 | 5,200 | 70  | 10,600          | 6,800 | 6,000 | 4,800 |
| 75   | 11,500          | 7,700 | 6,600 | 5,100 | 75  | 10,400          | 6,700 | 5,700 | 4,500 |
| 80   | 11,300          | 7,500 | 6,400 | 4,800 | 80  | 10,200          | 6,500 | 5,400 | 4,200 |
| 85   | 11,000          | 7,300 | 6,000 | 4,500 | 85  | 10,000          | 6,300 | 5,100 | 4,000 |
| 90   | 10,500          | 7,100 | 5,700 | 4,200 | 90  | 9,700           | 6,200 | 4,900 | 3,700 |
| 95   | 10,000          | 6,900 | 5,400 | 4,000 | 95  | 9,400           | 6,000 | 4,600 | 3,500 |
| 100  | 9,000           | 6,700 | 5,100 | 3,700 | 100                                       | 9,000           | 5,900 | 4,400 | 3,300 |
| 105  | 8,100           | 6,500 | 4,900 | 3,500 | 105                                       | 8,500           | 5,700 | 4,200 | 3,100 |
| 110  | 7,300           | 6,300 | 4,700 | 3,300 | 110                                       | 7,700           | 5,600 | 4,100 | 3,000 |
| 115  | 6,600           | 6,000 | 4,500 | 3,200 | 115                                       | 7,000           | 5,500 | 3,900 | 2,800 |
| 120  | 6,000           | 5,800 | 4,300 | 3,000 | 120                                       | 6,300           | 5,300 | 3,700 | 2,700 |
| 125  | 5,400           | 5,600 | 4,100 | 2,800 | 125                                       | 5,700           | 5,100 | 3,600 | 2,500 |
| 130  | 4,800           | 5,300 | 3,900 | 2,700 | 130                                       | 5,100           | 4,900 | 3,500 | 2,400 |
| 135  | 4,400           | 4,800 | 3,800 | 2,500 | 135                                       | 4,600           | 4,700 | 3,300 | 2,300 |
| 140  | 3,900           | 4,300 | 3,600 | 2,400 | 140                                       | 4,100           | 4,600 | 3,200 | 2,200 |
| 145  | 3,500           | 3,900 | 3,500 | 2,300 | 145                                       | 3,700           | 4,200 | 3,100 | 2,100 |
| 150  | 3,100           | 3,500 | 3,400 | 2,200 | 150                                       | 3,300           | 3,800 | 3,000 | 2,000 |
| 155  | 2,700           | 3,100 | 3,000 | 2,100 | 155                                       | 2,900           | 3,400 | 2,900 | 1,900 |
| 160  | 2,400           | 2,800 | 2,600 | 2,000 | 160                                       | 2,500           | 3,100 | 2,800 | 1,800 |
| 165  | 2,100           | 2,500 | 2,300 | 1,900 | 165                                       | 2,200           | 2,700 | 2,600 | 1,700 |
| 170  |                 | 2,200 | 2,000 | 1,800 | 170                                       |                 | 2,400 | 2,300 | 1,600 |
| 175  |                 | 1,900 | 1,800 | 1,700 | 175                                       |                 | 2,100 | 2,000 | 1,600 |
| 180  |                 | 1,700 | 1,500 | 1,500 | 180                                       |                 | 1,800 | 1,700 | 1,500 |
| 185  |                 | 1,400 | 1,200 | 1,200 | 185                                       |                 | 1,500 | 1,400 | 1,400 |
| 190  |                 | 1,200 | 1,000 | 1,000 | 190                                       |                 |       | 1,200 | 1,200 |
| 195  |                 |       |       |       | 195                                       |                 |       | 900   | 900   |

This information is not for crane operation. Operator must refer to the in-cab information for crane operation. Rated lifting capacities shown on fully extended outriggers do not exceed 85% of the tipping loads and on tires do not exceed 75% of the tipping loads.

| 28,800 lb Counterweight – Fully Extended Outriggers – 360° Rotation<br>(All Capacities Are Listed In Pounds) |                 |       |       |       |   |                 |       |       |       |
|--|-----------------|-------|-------|-------|---|-----------------|-------|-------|-------|
| 140 ft Main Boom Length<br>30° Fly Offset  |                 |       |       |       | 140 ft Main Boom Length<br>45° Fly Offset |                 |       |       |       |
| Radius<br>(ft)   | Fly Length (ft) |       |       |       | Radius<br>(ft)                            | Fly Length (ft) |       |       |       |
|  | 35              | 58    | 74    | 90    |   | 35              | 58    | 74    | 90    |
| 40   |                 |       |       |       | 40  |                 |       |       |       |
| 45   |                 |       |       |       | 45  |                 |       |       |       |
| 50   |                 |       |       |       | 50  |                 |       |       |       |
| 55   | 10,000          |       |       |       | 55  |                 |       |       |       |
| 60   | 9,800           |       |       |       | 60  |                 |       |       |       |
| 65   | 9,700           |       |       |       | 65  | 8,800           |       |       |       |
| 70   | 9,500           |       |       |       | 70  | 8,800           |       |       |       |
| 75   | 9,400           | 5,700 | 4,600 |       | 75  | 8,700           |       |       |       |
| 80   | 9,200           | 5,600 | 4,400 | 3,600 | 80  | 8,600           |       |       |       |
| 85   | 9,100           | 5,500 | 4,200 | 3,400 | 85  | 8,600           | 4,900 | 3,700 |       |
| 90   | 9,000           | 5,400 | 4,100 | 3,200 | 90  | 8,500           | 4,900 | 3,500 | 2,900 |
| 95   | 8,800           | 5,300 | 3,900 | 3,000 | 95  | 8,400           | 4,800 | 3,400 | 2,700 |
| 100  | 8,500           | 5,200 | 3,700 | 2,900 | 100                                       | 8,200           | 4,800 | 3,300 | 2,600 |
| 105  | 8,200           | 5,100 | 3,600 | 2,700 | 105                                       | 8,000           | 4,700 | 3,200 | 2,400 |
| 110  | 8,000           | 5,000 | 3,500 | 2,600 | 110                                       | 7,700           | 4,700 | 3,100 | 2,300 |
| 115  | 7,300           | 4,900 | 3,300 | 2,400 | 115                                       | 7,500           | 4,700 | 3,000 | 2,200 |
| 120  | 6,600           | 4,800 | 3,200 | 2,300 | 120                                       | 6,700           | 4,600 | 2,900 | 2,100 |
| 125  | 5,900           | 4,700 | 3,100 | 2,200 | 125                                       | 6,000           | 4,500 | 2,800 | 2,000 |
| 130  | 5,300           | 4,500 | 3,000 | 2,100 | 130                                       | 5,400           | 4,400 | 2,700 | 1,900 |
| 135  | 4,800           | 4,400 | 2,900 | 2,000 | 135                                       | 4,800           | 4,300 | 2,700 | 1,800 |
| 140  | 4,300           | 4,300 | 2,800 | 1,900 | 140                                       |                 | 4,200 | 2,600 | 1,800 |
| 145  | 3,800           | 4,200 | 2,800 | 1,800 | 145                                       |                 | 4,100 | 2,600 | 1,700 |
| 150  | 3,300           | 4,100 | 2,700 | 1,700 | 150                                       |                 | 4,000 | 2,500 | 1,600 |
| 155  | 2,900           | 3,700 | 2,600 | 1,700 | 155                                       |                 | 3,800 | 2,500 | 1,600 |
| 160  |                 | 3,300 | 2,600 | 1,600 | 160                                       |                 | 3,300 | 2,500 | 1,500 |
| 165  |                 | 2,900 | 2,500 | 1,500 | 165                                       |                 | 2,900 | 2,500 | 1,500 |
| 170  |                 | 2,500 | 2,500 | 1,500 | 170                                       |                 |       | 2,500 | 1,400 |
| 175  |                 | 2,200 | 2,200 | 1,400 | 175                                       |                 |       | 2,200 | 1,400 |
| 180  |                 | 1,800 | 1,800 | 1,400 | 180                                       |                 |       |       | 1,400 |
| 185  |                 |       | 1,500 | 1,400 | 185                                       |                 |       |       | 1,400 |
| 190  |                 |       | 1,300 | 1,300 | 190                                       |                 |       |       | 1,400 |
| 195  |                 |       | 1,000 | 1,100 | 195                                       |                 |       |       |       |

This information is not for crane operation. Operator must refer to the in-cab information for crane operation. Rated lifting capacities shown on fully extended outriggers do not exceed 85% of the tipping loads and on tires do not exceed 75% of the tipping loads.

# Main Boom Lift Capacity Charts – Metric

| 8 710kg Counterweight – Fully Extended Outriggers – 360° Rotation<br>(All Capacities Are Listed In Kilograms) |                 |        |        |        |        |        |        |        |        |        |               |       |
|---|-----------------|--------|--------|--------|--------|--------|--------|--------|--------|--------|---------------|-------|
| Radius<br>(m)   | Boom Length (m) |        |        |        |        |        |        |        |        |        | Radius<br>(m) |       |
|   | 11.58           | 15.2   | 18.3   | 21.3   | 24.4   | 27.4   | 30.5   | 33.5   | 36.6   | 39.6   |               | 42.67 |
| 2.5   | 80 000          |        |        |        |        |        |        |        |        |        |               | 2.5   |
| 3   | 72 550          | 69 500 | 53 450 | 32 100 |        |        |        |        |        |        |               | 3     |
| 3.5   | 64 300          | 64 250 | 50 350 | 32 100 |        |        |        |        |        |        |               | 3.5   |
| 4   | 57 150          | 58 050 | 48 900 | 32 100 | 37 400 |        |        |        |        |        |               | 4     |
| 4.5   | 50 500          | 51 500 | 48 350 | 32 100 | 35 750 | 24 550 |        |        |        |        |               | 4.5   |
| 5   | 45 150          | 46 150 | 46 300 | 32 000 | 35 250 | 24 550 |        |        |        |        |               | 5     |
| 6   | 37 000          | 38 000 | 38 200 | 29 050 | 34 700 | 23 800 | 22 250 | 12 350 |        |        |               | 6     |
| 7   | 31 050          | 32 100 | 32 300 | 26 450 | 32 050 | 21 800 | 21 150 | 12 350 |        |        |               | 7     |
| 8   | 26 550          | 27 600 | 27 850 | 24 000 | 27 650 | 20 100 | 20 100 | 16 400 | 12 750 | 12 150 |               | 8     |
| 9   | 23 000          | 24 050 | 24 300 | 21 950 | 24 100 | 18 600 | 19 350 | 16 250 | 12 750 | 12 000 | 11 050        | 9     |
| 10  |                 | 20 350 | 20 900 | 20 300 | 20 300 | 17 300 | 18 100 | 16 100 | 12 750 | 11 900 | 10 950        | 10    |
| 12  |                 | 14 700 | 14 900 | 15 050 | 15 100 | 15 100 | 14 900 | 14 600 | 12 750 | 11 800 | 10 850        | 12    |
| 14  |                 |        | 11 250 | 11 400 | 11 450 | 11 450 | 11 250 | 11 550 | 11 700 | 11 650 | 10 750        | 14    |
| 16  |                 |        | 9 250  | 9 600  | 9 750  | 9 300  | 9 800  | 9 750  | 9 550  | 9 350  | 9 200         | 16    |
| 18  |                 |        |        | 7 750  | 7 950  | 8 050  | 7 950  | 7 900  | 7 750  | 7 550  | 7 400         | 18    |
| 20  |                 |        |        |        | 6 600  | 6 650  | 6 600  | 6 550  | 6 400  | 6 200  | 6 050         | 20    |
| 22  |                 |        |        |        | 5 500  | 5 600  | 5 550  | 5 500  | 5 350  | 5 200  | 5 050         | 22    |
| 24  |                 |        |        |        |        | 4 750  | 4 700  | 4 650  | 4 500  | 4 350  | 4 200         | 24    |
| 26  |                 |        |        |        |        |        | 4 000  | 3 950  | 3 800  | 3 650  | 3 500         | 26    |
| 28  |                 |        |        |        |        |        | 3 400  | 3 350  | 3 200  | 3 050  | 2 900         | 28    |
| 30  |                 |        |        |        |        |        |        | 2 850  | 2 700  | 2 550  | 2 400         | 30    |
| 32  |                 |        |        |        |        |        |        | 1 400  | 2 300  | 2 150  | 2 000         | 32    |
| 34  |                 |        |        |        |        |        |        |        |        | 1 750  | 1 650         | 34    |
| 36  |                 |        |        |        |        |        |        |        |        | 1 450  | 1 300         | 36    |
| 38  |                 |        |        |        |        |        |        |        |        |        | 1 000         | 38    |
| 40  |                 |        |        |        |        |        |        |        |        |        | 750           | 40    |

This information is not for crane operation. Operator must refer to the in-cab information for crane operation. Rated lifting capacities shown meets ISO 4305 standards.

| <b>8 710kg Counterweight – On Tires – Stationary – Boom Centered Over Front Between Tire Tracks</b><br><b>(All Capacities Are Listed In Kilograms)</b> |                        |             |             |             |             |             |             |             |                       |
|--|------------------------|-------------|-------------|-------------|-------------|-------------|-------------|-------------|-----------------------|
| <b>Radius<br/>(m)</b>  | <b>Boom Length (m)</b> |             |             |             |             |             |             |             | <b>Radius<br/>(m)</b> |
|  | <b>11.58</b>           | <b>15.2</b> | <b>18.3</b> | <b>21.3</b> | <b>24.4</b> | <b>27.4</b> | <b>30.5</b> | <b>33.5</b> |                       |
| 4.5  | 25 100                 |             |             |             |             |             |             |             | 4.5                   |
| 5  | 23 150                 |             |             |             |             |             |             |             | 5                     |
| 6  | 19 900                 |             |             |             |             |             |             |             | 6                     |
| 7  | 17 050                 | 18 450      |             |             |             |             |             |             | 7                     |
| 8  | 13 250                 | 14 800      |             |             |             |             |             |             | 8                     |
| 9  | 10 550                 | 12 000      | 12 700      |             |             |             |             |             | 9                     |
| 10   |                        | 9 950       | 10 650      | 10 950      |             |             |             |             | 10                    |
| 12   |                        | 7 050       | 7 750       | 8 100       | 8 250       |             |             |             | 12                    |
| 14   |                        |             | 5 800       | 6 150       | 6 350       | 6 400       |             |             | 14                    |
| 16   |                        |             | 4 450       | 4 800       | 5 000       | 5 100       | 5 050       |             | 16                    |
| 18   |                        |             |             | 3 750       | 3 950       | 4 050       | 4 050       | 4 000       | 18                    |
| 20   |                        |             |             |             | 3 150       | 3 250       | 3 200       | 3 200       | 20                    |
| 22   |                        |             |             |             | 2 500       | 2 600       | 2 600       | 2 550       | 22                    |
| 24   |                        |             |             |             |             | 2 100       | 2 050       | 2 050       | 24                    |
| 26   |                        |             |             |             |             |             | 1 650       | 1 600       | 26                    |
| 28   |                        |             |             |             |             |             | 1 250       | 1 250       | 28                    |
| 30   |                        |             |             |             |             |             |             | 950         | 30                    |

This information is not for crane operation. Operator must refer to the in-cab information for crane operation. Rated lifting capacities shown meets ISO 4305 standards.

| <b>8 710kg Counterweight – On Tires – Pick &amp; Carry (Creep) – Boom Centered Over Front</b><br>(All Capacities Are Listed In Kilograms) |                 |        |        |        |       |       |       |       |               |
|---|-----------------|--------|--------|--------|-------|-------|-------|-------|---------------|
| Radius<br>(m)   | Boom Length (m) |        |        |        |       |       |       |       | Radius<br>(m) |
|   | 11.58           | 15.2   | 18.3   | 21.3   | 24.4  | 27.4  | 30.5  | 33.5  |               |
| 4.5   | 24 000          |        |        |        |       |       |       |       | 4.5           |
| 5   | 21 900          |        |        |        |       |       |       |       | 5             |
| 6   | 18 450          |        |        |        |       |       |       |       | 6             |
| 7   | 15 800          | 16 850 |        |        |       |       |       |       | 7             |
| 8   | 13 250          | 14 700 |        |        |       |       |       |       | 8             |
| 9   | 10 550          | 12 000 | 12 700 |        |       |       |       |       | 9             |
| 10  |                 | 9 950  | 10 650 | 10 950 |       |       |       |       | 10            |
| 12  |                 | 7 050  | 7 750  | 8 100  | 8 250 |       |       |       | 12            |
| 14  |                 |        | 5 800  | 6 150  | 6 350 | 6 400 |       |       | 14            |
| 16  |                 |        | 4 450  | 4 800  | 5 000 | 5 100 | 5 050 |       | 16            |
| 18  |                 |        |        | 3 750  | 3 950 | 4 050 | 4 050 | 4 000 | 18            |
| 20  |                 |        |        |        | 3 150 | 3 250 | 3 200 | 3 200 | 20            |
| 22  |                 |        |        |        | 2 500 | 2 600 | 2 600 | 2 550 | 22            |
| 24  |                 |        |        |        |       | 2 100 | 2 050 | 2 050 | 24            |
| 26  |                 |        |        |        |       |       | 1 650 | 1 600 | 26            |
| 28  |                 |        |        |        |       |       | 1 250 | 1 250 | 28            |
| 30  |                 |        |        |        |       |       |       | 950   | 30            |

| <b>8 710kg Counterweight – On Tires – Stationary – 360° Rotation</b><br>(All Capacities Are Listed In Kilograms) |                 |       |       |       |       |       |       |       |               |
|--|-----------------|-------|-------|-------|-------|-------|-------|-------|---------------|
| Radius<br>(m)  | Boom Length (m) |       |       |       |       |       |       |       | Radius<br>(m) |
|  | 11.58           | 15.2  | 18.3  | 21.3  | 24.4  | 27.4  | 30.5  | 33.5  |               |
| 5  | 12 700          |       |       |       |       |       |       |       | 5             |
| 6  | 9 100           |       |       |       |       |       |       |       | 6             |
| 7  | 6 700           | 8 050 |       |       |       |       |       |       | 7             |
| 8  | 4 950           | 6 250 | 6 950 |       |       |       |       |       | 8             |
| 9  | 3 650           | 4 950 | 5 600 |       |       |       |       |       | 9             |
| 10   |                 | 3 950 | 4 600 | 4 900 |       |       |       |       | 10            |
| 12   |                 | 2 450 | 3 100 | 3 400 | 3 600 |       |       |       | 12            |
| 14   |                 |       | 2 050 | 2 350 | 2 550 | 2 600 |       |       | 14            |
| 16   |                 |       | 1 300 | 1 600 | 1 750 | 1 850 | 1 850 | 1 800 | 16            |
| 18   |                 |       |       | 1 000 | 1 150 | 1 250 | 1 250 | 1 200 | 18            |
| 20   |                 |       |       |       | 700   | 800   | 800   | 750   | 20            |

This information is not for crane operation. Operator must refer to the in-cab information for crane operation. Rated lifting capacities shown meets ISO 4305 standards.

| 13 065kg Counterweight – Fully Extended Outriggers – 360° Rotation<br>(All Capacities Are Listed In Kilograms) |                 |        |        |        |        |        |        |        |        |        |        |               |
|--|-----------------|--------|--------|--------|--------|--------|--------|--------|--------|--------|--------|---------------|
| Radius<br>(m)  | Boom Length (m) |        |        |        |        |        |        |        |        |        |        | Radius<br>(m) |
|  | 11.58           | 15.2   | 18.3   | 21.3   | 24.4   | 27.4   | 30.5   | 33.5   | 36.6   | 39.6   | 42.67  |               |
| 2.5  | 80 000          |        |        |        |        |        |        |        |        |        |        | 2.5           |
| 3  | 72 550          | 69 500 | 53 450 | 32 100 |        |        |        |        |        |        |        | 3             |
| 3.5  | 65 050          | 64 250 | 50 350 | 32 100 |        |        |        |        |        |        |        | 3.5           |
| 4  | 59 750          | 59 850 | 48 900 | 32 100 | 37 400 |        |        |        |        |        |        | 4             |
| 4.5  | 53 650          | 54 600 | 48 350 | 32 100 | 35 750 | 24 550 |        |        |        |        |        | 4.5           |
| 5  | 48 000          | 48 950 | 47 000 | 32 000 | 35 250 | 24 550 |        |        |        |        |        | 5             |
| 6  | 39 400          | 40 400 | 40 550 | 29 050 | 34 700 | 23 800 | 22 250 | 12 350 |        |        |        | 6             |
| 7  | 33 100          | 34 150 | 34 350 | 26 450 | 34 100 | 21 800 | 21 150 | 12 350 |        |        |        | 7             |
| 8  | 28 350          | 29 400 | 29 600 | 24 000 | 29 400 | 20 100 | 20 100 | 16 400 | 12 750 | 12 150 |        | 8             |
| 9  | 24 600          | 25 650 | 25 900 | 21 950 | 25 700 | 18 600 | 19 350 | 16 250 | 12 750 | 12 000 | 11 050 | 9             |
| 10   |                 | 22 650 | 22 950 | 20 300 | 22 750 | 17 300 | 18 100 | 16 100 | 12 750 | 11 900 | 10 950 | 10            |
| 12   |                 | 17 800 | 18 000 | 17 500 | 17 450 | 15 150 | 16 000 | 15 200 | 12 750 | 11 800 | 10 850 | 12            |
| 14   |                 |        | 13 750 | 13 900 | 13 950 | 13 400 | 13 750 | 13 500 | 11 700 | 11 650 | 10 750 | 14            |
| 16   |                 |        | 10 800 | 11 050 | 11 100 | 11 100 | 10 900 | 10 650 | 10 500 | 11 050 | 10 700 | 16            |
| 18   |                 |        |        | 8 900  | 9 100  | 9 000  | 9 150  | 9 350  | 9 550  | 9 400  | 9 200  | 18            |
| 20   |                 |        |        |        | 8 150  | 7 700  | 8 200  | 8 150  | 8 000  | 7 800  | 7 650  | 20            |
| 22   |                 |        |        |        | 6 900  | 7 000  | 6 950  | 6 900  | 6 750  | 6 550  | 6 400  | 22            |
| 24   |                 |        |        |        |        | 6 000  | 5 950  | 5 900  | 5 750  | 5 600  | 5 450  | 24            |
| 26   |                 |        |        |        |        |        | 5 150  | 5 100  | 4 950  | 4 800  | 4 650  | 26            |
| 28   |                 |        |        |        |        |        | 4 450  | 4 450  | 4 300  | 4 150  | 4 000  | 28            |
| 30   |                 |        |        |        |        |        |        | 3 850  | 3 700  | 3 550  | 3 400  | 30            |
| 32   |                 |        |        |        |        |        |        | 2 350  | 3 200  | 3 050  | 2 900  | 32            |
| 34   |                 |        |        |        |        |        |        |        | 2 800  | 2 600  | 2 500  | 34            |
| 36   |                 |        |        |        |        |        |        |        |        | 2 250  | 2 100  | 36            |
| 38   |                 |        |        |        |        |        |        |        |        |        | 1 800  | 38            |
| 40   |                 |        |        |        |        |        |        |        |        |        | 1 500  | 40            |

This information is not for crane operation. Operator must refer to the in-cab information for crane operation. Rated lifting capacities shown meets ISO 4305 standards.

## Fly Attachment Lift Capacity Charts – Optional

| 8 710kg Counterweight – Fully Extended Outriggers – 360° Rotation<br>(All Capacities Are Listed In Kilograms) |                |       |       |       |   |                |       |       |       |
|---|----------------|-------|-------|-------|---|----------------|-------|-------|-------|
| 42.67m Main Boom Length<br>2° Fly Offset  |                |       |       |       | 42.67m Main Boom Length<br>15° Fly Offset |                |       |       |       |
| Radius<br>(m)   | Fly Length (m) |       |       |       | Radius<br>(m)                             | Fly Length (m) |       |       |       |
|   | 10.67          | 17.68 | 22.56 | 27.43 |   | 10.67          | 17.68 | 22.56 | 27.43 |
| 12  | 5 500          |       |       |       | 12  |                |       |       |       |
| 14  | 5 500          | 3 850 |       |       | 14  | 5 200          |       |       |       |
| 16  | 5 500          | 3 750 | 3 000 |       | 16  | 5 100          |       |       |       |
| 18  | 5 500          | 3 700 | 3 000 | 2 350 | 18  | 5 000          | 3 300 |       |       |
| 20  | 5 400          | 3 600 | 3 000 | 2 350 | 20  | 4 900          | 3 150 | 2 850 |       |
| 22  | 5 300          | 3 500 | 3 000 | 2 350 | 22  | 4 750          | 3 050 | 2 650 | 2 100 |
| 24  | 4 500          | 3 400 | 2 950 | 2 200 | 24  | 4 650          | 2 950 | 2 450 | 1 950 |
| 26  | 3 750          | 3 300 | 2 700 | 2 050 | 26  | 4 050          | 2 850 | 2 300 | 1 800 |
| 28  | 3 150          | 3 200 | 2 550 | 1 850 | 28  | 3 400          | 2 750 | 2 150 | 1 650 |
| 30  | 2 650          | 2 900 | 2 350 | 1 750 | 30  | 2 900          | 2 700 | 2 050 | 1 550 |
| 32  | 2 250          | 2 450 | 2 200 | 1 600 | 32  | 2 400          | 2 600 | 1 900 | 1 400 |
| 34  | 1 850          | 2 050 | 2 000 | 1 500 | 34  | 2 050          | 2 350 | 1 800 | 1 300 |
| 36  | 1 550          | 1 750 | 1 700 | 1 400 | 36  | 1 700          | 2 000 | 1 700 | 1 250 |
| 38  | 1 250          | 1 450 | 1 400 | 1 300 | 38  | 1 400          | 1 700 | 1 600 | 1 150 |
| 40  | 1 000          | 1 200 | 1 100 | 1 100 | 40  | 1 100          | 1 400 | 1 300 | 1 050 |
| 42  | 750            | 950   | 900   | 900   | 42  | 850            | 1 150 | 1 050 | 1 000 |
| 44  | 550            | 750   | 700   | 650   | 44  | 650            | 900   | 850   | 850   |
| 46  |                | 550   | 500   | 500   | 46  | 450            | 700   | 650   | 650   |
| 48  |                | 400   |       |       | 48  |                | 500   | 450   | 450   |

This information is not for crane operation. Operator must refer to the in-cab information for crane operation. Rated lifting capacities shown meets ISO 4305 standards.

| <b>8 710kg Counterweight – Fully Extended Outriggers – 360° Rotation</b><br><b>(All Capacities Are Listed In Kilograms)</b> |                |       |       |       |   |                |       |       |       |
|---|----------------|-------|-------|-------|---|----------------|-------|-------|-------|
| <b>42.67m Main Boom Length</b><br><b>30° Fly Offset</b>   |                |       |       |       | <b>42.67m Main Boom Length</b><br><b>45° Fly Offset</b> |                |       |       |       |
| Radius<br>(m)   | Fly Length (m) |       |       |       | Radius<br>(m)   | Fly Length (m) |       |       |       |
|   | 10.67          | 17.68 | 22.56 | 27.43 |   | 10.67          | 17.68 | 22.56 | 27.43 |
| 18  | 4 450          |       |       |       | 18  |                |       |       |       |
| 20  | 4 350          |       |       |       | 20  | 3 950          |       |       |       |
| 22  | 4 300          |       |       |       | 22  | 3 950          |       |       |       |
| 24  | 4 200          | 2 550 | 2 050 | 1 650 | 24  | 3 900          |       |       |       |
| 26  | 4 100          | 2 500 | 1 900 | 1 550 | 26  | 3 900          | 2 250 | 1 650 |       |
| 28  | 3 650          | 2 400 | 1 800 | 1 400 | 28  | 3 850          | 2 200 | 1 550 | 1 250 |
| 30  | 3 100          | 2 350 | 1 700 | 1 300 | 30  | 3 250          | 2 150 | 1 500 | 1 200 |
| 32  | 2 600          | 2 300 | 1 600 | 1 250 | 32  | 2 750          | 2 150 | 1 450 | 1 100 |
| 34  | 2 200          | 2 250 | 1 550 | 1 150 | 34  | 2 300          | 2 100 | 1 400 | 1 050 |
| 36  | 1 800          | 2 200 | 1 450 | 1 050 | 36  | 1 900          | 2 100 | 1 350 | 950   |
| 38  | 1 500          | 1 900 | 1 400 | 1 000 | 38  | 1 550          | 2 050 | 1 300 | 900   |
| 40  | 1 200          | 1 600 | 1 350 | 950   | 40  | 1 250          | 1 750 | 1 250 | 850   |
| 42  | 950            | 1 300 | 1 300 | 900   | 42  |                | 1 450 | 1 200 | 800   |
| 44  | 700            | 1 050 | 1 050 | 850   | 44  |                | 1 150 | 1 150 | 750   |
| 46  | 500            | 850   | 800   | 800   | 46  |                | 900   | 900   | 750   |
| 48  |                | 600   | 600   | 600   | 48  |                | 650   | 700   | 700   |
| 50  |                | 400   | 400   | 450   | 50  |                |       | 450   | 500   |

This information is not for crane operation. Operator must refer to the in-cab information for crane operation. Rated lifting capacities shown meets ISO 4305 standards.

| 13 065kg Counterweight – Fully Extended Outriggers – 360° Rotation<br>(All Capacities Are Listed In Kilograms) |                |       |       |       |   |                |       |       |       |
|--|----------------|-------|-------|-------|---|----------------|-------|-------|-------|
| 42.67m Main Boom Length<br>2° Fly Offset   |                |       |       |       | 42.67m Main Boom Length<br>15° Fly Offset |                |       |       |       |
| Radius<br>(m)  | Fly Length (m) |       |       |       | Radius<br>(m)                             | Fly Length (m) |       |       |       |
|  | 10.67          | 17.68 | 22.56 | 27.43 |   | 10.67          | 17.68 | 22.56 | 27.43 |
| 12   | 5 500          |       |       |       | 12  |                |       |       |       |
| 14   | 5 500          | 3 850 |       |       | 14  | 5 200          |       |       |       |
| 16   | 5 500          | 3 750 | 3 000 |       | 16  | 5 100          |       |       |       |
| 18   | 5 500          | 3 700 | 3 000 | 2 350 | 18  | 5 000          | 3 300 |       |       |
| 20   | 5 400          | 3 600 | 3 000 | 2 350 | 20  | 4 900          | 3 150 | 2 850 |       |
| 22   | 5 300          | 3 500 | 3 000 | 2 350 | 22  | 4 750          | 3 050 | 2 650 | 2 100 |
| 24   | 5 150          | 3 400 | 2 950 | 2 200 | 24  | 4 650          | 2 950 | 2 450 | 1 950 |
| 26   | 4 950          | 3 300 | 2 700 | 2 050 | 26  | 4 550          | 2 850 | 2 300 | 1 800 |
| 28   | 4 250          | 3 200 | 2 550 | 1 850 | 28  | 4 350          | 2 750 | 2 150 | 1 650 |
| 30   | 3 650          | 3 100 | 2 350 | 1 750 | 30  | 3 850          | 2 700 | 2 050 | 1 550 |
| 32   | 3 150          | 2 950 | 2 200 | 1 600 | 32  | 3 350          | 2 600 | 1 900 | 1 400 |
| 34   | 2 700          | 2 800 | 2 100 | 1 500 | 34  | 2 900          | 2 550 | 1 800 | 1 300 |
| 36   | 2 350          | 2 550 | 1 950 | 1 400 | 36  | 2 500          | 2 400 | 1 700 | 1 250 |
| 38   | 2 000          | 2 200 | 1 850 | 1 300 | 38  | 2 150          | 2 300 | 1 650 | 1 150 |
| 40   | 1 700          | 1 900 | 1 750 | 1 200 | 40  | 1 800          | 2 100 | 1 550 | 1 050 |
| 42   | 1 450          | 1 650 | 1 550 | 1 100 | 42  | 1 550          | 1 800 | 1 500 | 1 000 |
| 44   | 1 200          | 1 400 | 1 300 | 1 050 | 44  | 1 300          | 1 550 | 1 400 | 950   |
| 46   | 1 000          | 1 150 | 1 100 | 1 000 | 46  | 1 050          | 1 300 | 1 250 | 900   |
| 48   | 800            | 950   | 900   | 900   | 48  | 850            | 1 100 | 1 050 | 850   |
| 50   | 650            | 800   | 700   | 700   | 50  | 650            | 900   | 850   | 800   |
| 52   |                | 600   | 550   | 550   | 52  |                | 700   | 650   | 650   |
| 54   |                | 450   | 400   |       | 54  |                | 550   | 500   | 500   |

This information is not for crane operation. Operator must refer to the in-cab information for crane operation. Rated lifting capacities shown meets ISO 4305 standards.

| 13 065kg Counterweight -- Fully Extended Outriggers -- 360° Rotation<br>(All Capacities Are Listed In Kilograms) |                |       |       |       |   |                |       |       |       |
|--|----------------|-------|-------|-------|---|----------------|-------|-------|-------|
| 42.67m Main Boom Length<br>30° Fly Offset  |                |       |       |       | 42.67m Main Boom Length<br>45° Fly Offset |                |       |       |       |
| Radius<br>(m)  | Fly Length (m) |       |       |       | Radius<br>(m)                             | Fly Length (m) |       |       |       |
|  | 10.67          | 17.68 | 22.56 | 27.43 |   | 10.67          | 17.68 | 22.56 | 27.43 |
| 18   | 4 450          |       |       |       | 18  |                |       |       |       |
| 20   | 4 350          |       |       |       | 20  | 3 950          |       |       |       |
| 22   | 4 300          |       |       |       | 22  | 3 950          |       |       |       |
| 24   | 4 200          | 2 550 | 2 050 | 1 650 | 24  | 3 900          |       |       |       |
| 26   | 4 100          | 2 500 | 1 900 | 1 550 | 26  | 3 900          | 2 250 | 1 650 |       |
| 28   | 4 050          | 2 400 | 1 800 | 1 400 | 28  | 3 850          | 2 200 | 1 550 | 1 250 |
| 30   | 3 900          | 2 350 | 1 700 | 1 300 | 30  | 3 750          | 2 150 | 1 500 | 1 200 |
| 32   | 3 550          | 2 300 | 1 600 | 1 250 | 32  | 3 600          | 2 150 | 1 450 | 1 100 |
| 34   | 3 050          | 2 250 | 1 550 | 1 150 | 34  | 3 150          | 2 100 | 1 400 | 1 050 |
| 36   | 2 650          | 2 200 | 1 450 | 1 050 | 36  | 2 700          | 2 100 | 1 350 | 950   |
| 38   | 2 250          | 2 150 | 1 400 | 1 000 | 38  | 2 300          | 2 050 | 1 300 | 900   |
| 40   | 1 900          | 2 050 | 1 350 | 950   | 40  | 1 950          | 1 950 | 1 250 | 850   |
| 42   | 1 600          | 1 950 | 1 300 | 900   | 42  |                | 1 900 | 1 200 | 800   |
| 44   | 1 350          | 1 700 | 1 250 | 850   | 44  |                | 1 800 | 1 150 | 750   |
| 46   | 1 100          | 1 450 | 1 200 | 800   | 46  |                | 1 500 | 1 150 | 750   |
| 48   |                | 1 200 | 1 200 | 750   | 48  |                | 1 250 | 1 150 | 700   |
| 50   |                | 1 000 | 950   | 700   | 50  |                |       | 1 050 | 650   |
| 52   |                | 750   | 750   | 650   | 52  |                |       | 800   | 650   |
| 54   |                | 600   | 600   | 600   | 54  |                |       |       | 600   |
| 56   |                |       | 400   | 450   | 56  |                |       |       | 450   |

This information is not for crane operation. Operator must refer to the in-cab information for crane operation. Rated lifting capacities shown meets ISO 4305 standards.

**This Page Intentionally Blank**

**Link-Belt Construction Equipment Company**      Lexington, Kentucky      [www.linkbelt.com](http://www.linkbelt.com)

®Link-Belt is a registered trademark. Copyright 2011. We are constantly improving our products and therefore reserve the right to change designs and specifications.